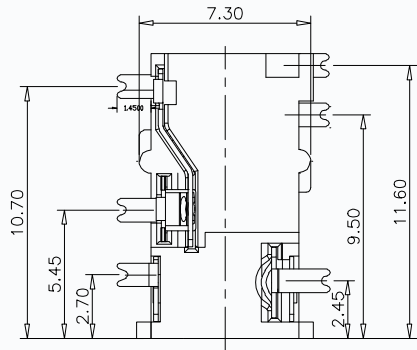


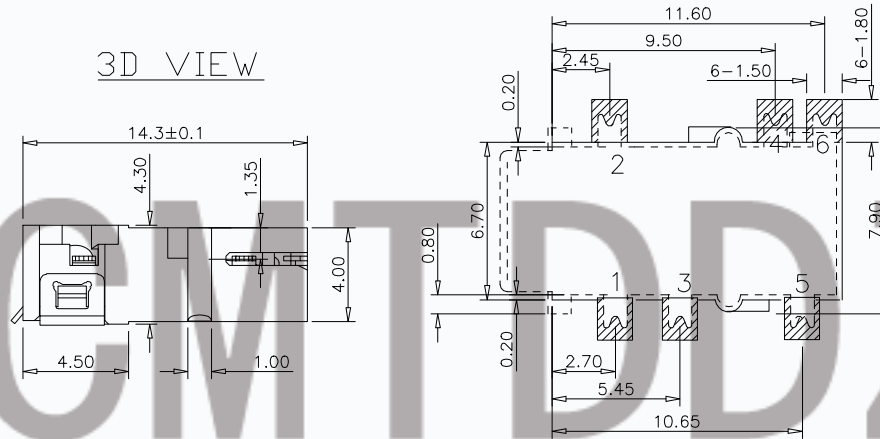
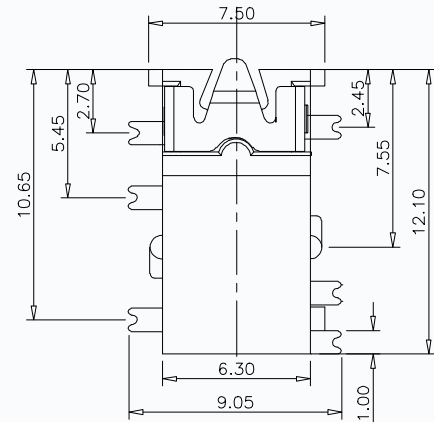
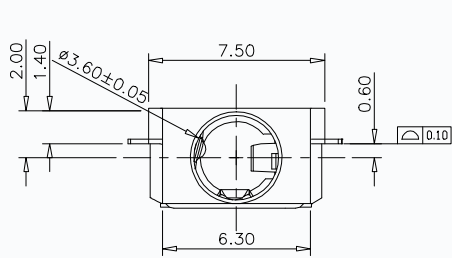
REV.	ECN NO.	DESCRIPTION	DESIGN	DATE
A		INITIAL	ERIC	2018.04.12

NOTES:

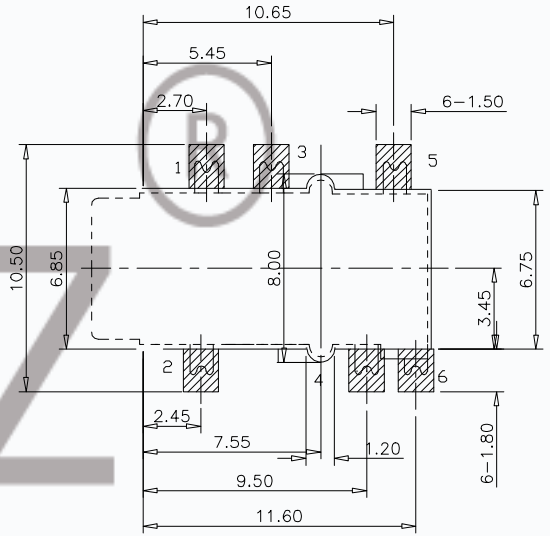
- REQUEST OF THE SPECIFICATION:
 - CONTACT CURRENT RATING: 1A.;
 - CONTACT RESISTANCE: 100 mΩ MAX.;
 - INSULATION RESISTANCE: 100MΩ MIN.;
 - DIELECTRIC WITHSTANDING: 500V AC MIN.;
 - DURABILITY: 5,000 CYCLES MIN.;
 - CONNECTOR MATING FORCES: 29.8N (3.00Kgf) MAX.;
 - CONNECTOR UNMATING FORCES: 2.98N(0.30Kgf) MIN.;



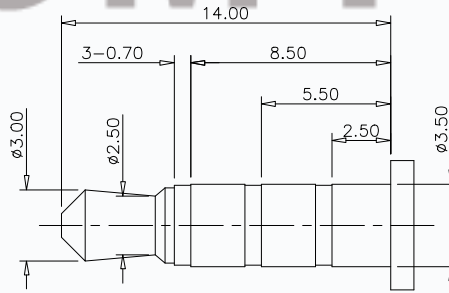
3D VIEW



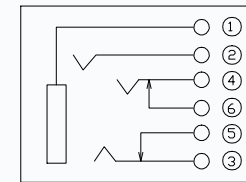
正贴 P.C.B LAYOUT TOP VIEW



反贴 P.C.B LAYOUT TOP VIEW



(ø3.50mm 4 POLE PLUG DETAIL DRAWING)



SCHEMATIC

ITEM	NAME	Q'TY	DESCRIPTION	NOTE
8	BUSHING	1	BRASS;NICKEL(40u"MIN.) PLATING OVERALL	
7	TERMINAL 6#	1	磷覆	T=0.20
6	TERMINAL 5#	1	磷覆	T=0.20
5	TERMINAL 4#	1	磷覆	T=0.20
4	TERMINAL 3#	1	鍍青銅	T=0.20
3	TERMINAL 2#	1	鍍青銅	T=0.20
2	TERMINAL 1#	1	磷覆	T=0.20
1	HOUSING	1	PPA COLOR BLACK	

UNLESS OTHERWISE SPECIFIED TOLERANCES

CMTDDZ 东莞市田都科技有限公司
Dongguan TianDu Technology Co. Ltd.

DECIMALS:	ANGLES:	DWG NO.	PART NAME:
DIM TOL	DIM TOL	DESIGN: ERIC	PHONE JACK
X. ±0.35	X. ±2'	2019.03.12	PART NO. T13-3518D-02
X.X ±0.30	X.X ±1'	CHECK:	REV. UNIT: SHEET:
X.XX ±0.20	X.XX	APPROVED	A mm 1/1
X.XXX ±0.10	X.XXX		