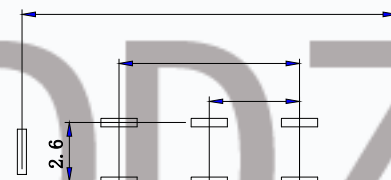
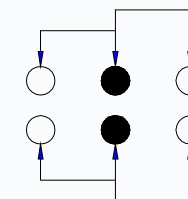
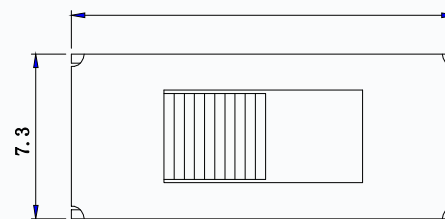
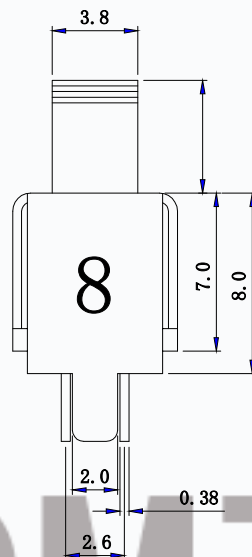
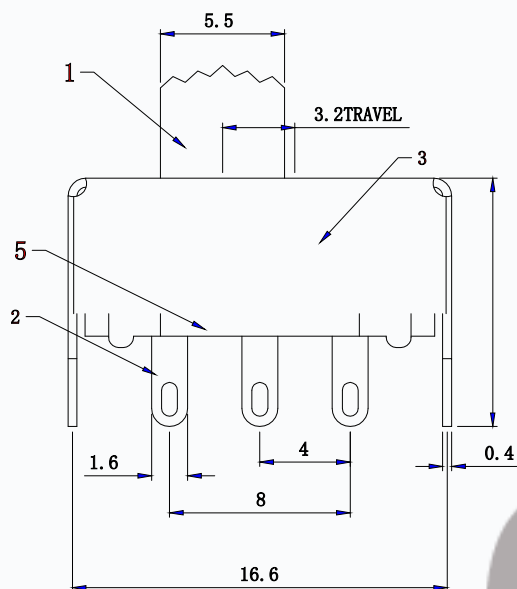




CAD FILE:



MODEL NO.	KNOB(G/VG)
T2-223080-G	(2~15)mm



CMTDDZ

SPECIFICATIONS

Rating	0.5A 50V DC
CIRCUIT	2P2T
Timing	SHORTING
Travel	3.2mm
Contact Resistance	< 100 mΩ
Operating Force	250gf ± 100gf
Operating Life	10,000 cycles

6	弹簧	碳钢线	2	原色
5	底板	冷冲板	1	原色
4	码片	黄铜带	2	镀银
3	铁壳	冷轧钢带	1	镀镍
2	端子脚	黄铜带	6	镀银
1	胶柄	POM	1	黑色
NO.	物料组成	材质	数量	表面处理

TOLERANCE UNLESS SPECIFIED WITHIN 1.5mm : ±0.1mm OVER 1.5mm : ±0.2mm		THESE DRAWINGS AND SPECIFICATIONS ARE THE PROPERTY OF DONGGUAN TIANDU ELECTRONICS CO.,LTD. AND SHALL NOT BE REPRODUCED, COPIED OR USED IN ANY MANNER WITHOUT THE PRIOR WRITTEN CONSENT OF DONGGUAN TIANDU ELECTRONICS CO., LTD		DESCRIPTIONS OF REVISION		APPD.
TITLE : VERTICAL SLIDE SWITCH			UNIT : mm	DRWG NO.:		
MODEL: T2-223080-G			SCALE: 3:1	DWN.	ERIC	2013-6-17
CMTDDZ 东莞市田都科技有限公司				CHK'D	MAIKO	2013-6-17
DONGGUAN TIANDU TECHNOLOGY CO.,LTD.				APPD.	Coco	2013-6-17