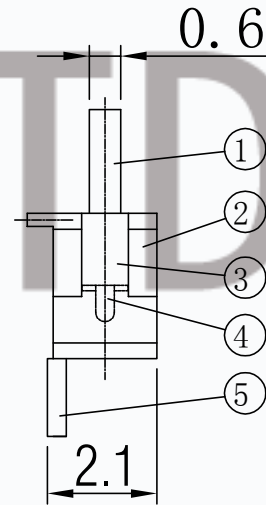
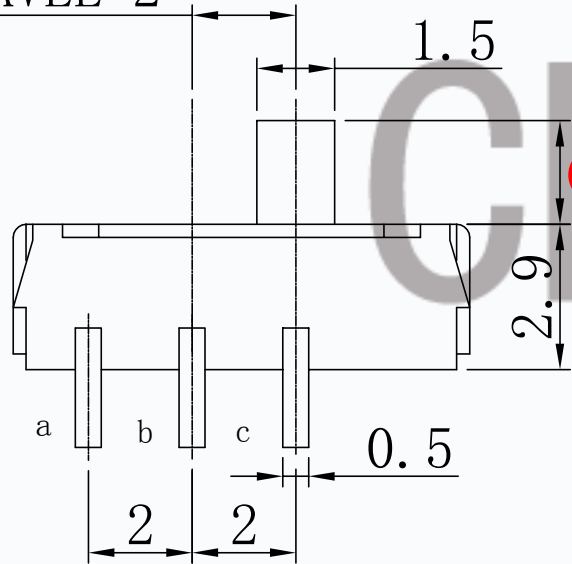
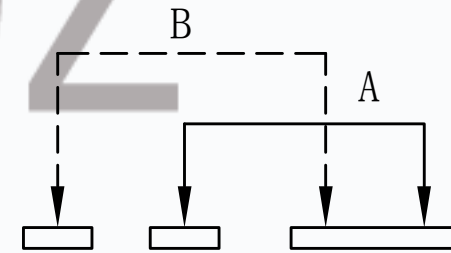


TRAVEL 2



P. C. B LAYOUT DIMENSION



CIRCUIT

TITLE	TOGGLE SWITCH			DRAWN	ERIC		TOLERANCE OTHERWISE UNLESS SPECIFIED		9				
PART NO.				CHECKED			UP TO 5	±0.1	8				
DRAW NO.	T1-1270L-G B款			APPROVED			ABOVE 5 30	±0.2	7				
SCALE	4:1	UNIT	mm	DATE	20/11/2006		ABOVE 30 50	±0.3	6				
							ABOVE 50	±0.4	5	TERMINAL a, b&c	C2680	3	Ag
							ANGLE	±3°	4	CONTACT	C5210	1	Ag
CMTDDZ 东莞市田都科技有限公司 Dongguan TianDu Technology Co. Ltd.									3	COVER	SUS	1	NATURAL
									2	BOTTOM	PA46	1	BLACK
									1	STEM	PA46	1	BLACK
									NO.	PARTS	MATERIAL	QTY.	FINISHING