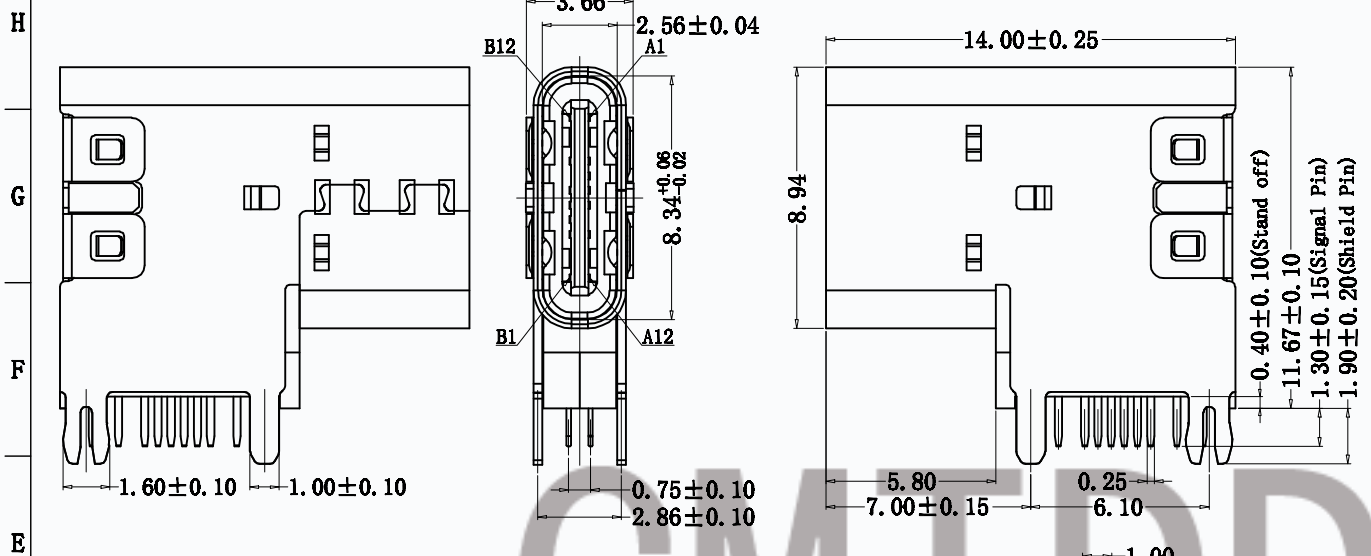


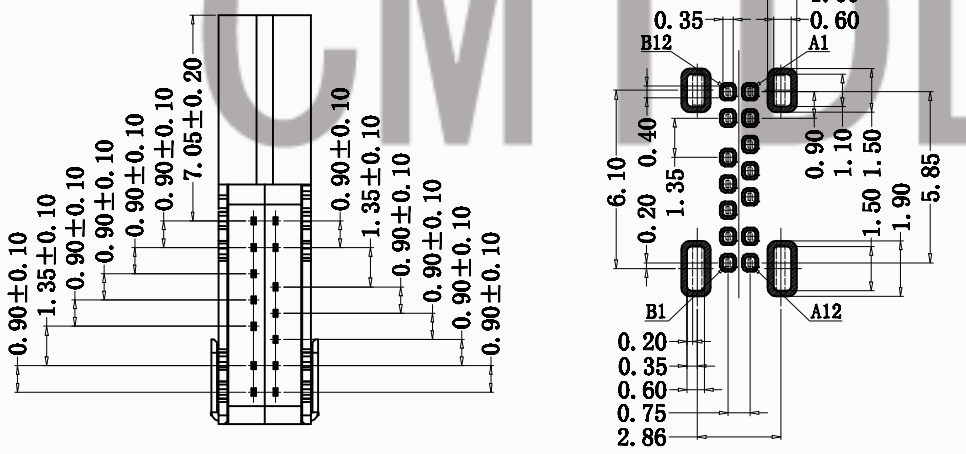
RoHs

VER	MARK	PR. BY	ECR/ECN	DESCRIPTION	DATE
A		ERIC		NEW RELEASE	08/07' 20



- SPECIFICATION:**
- MATERIAL & FINISH:** SEE THE LIST;
 - PLATING SPECIFICATION:**
 - CONTACTS:**
 - Ni 50u" MIN. UNDER PLATED OVER ALL.
 - Au PLATED ON THE MATING AREA OF CONTACT.
 - Au PLATED OR MATTE SN PLATED ON THE SOLDER AREA.
 - FRONT SHELL:** Ni 30u" MIN. UNDER PLATED OVER ALL.
 - BACK SHELL:** Ni 30u" MIN. UNDER PLATED OVER ALL.
 - MID PLATE:** CLEAR ONLY
 - MECHANICAL:**
 - MATING FORCE:** 5~20N;
 - UNMATING FORCE:** 8~20N.
 - DURABILITY:** 10000 CYCLES;
 - 6~20N AFTER DURABILITY TEST;**
 - ELECTRICAL:**
 - CURRENT RATING:** 3A Max;
 - VOLTAGE RATING:** 20V Max;
 - DIELECTRIC WITHSTANDING VOLTAGE:** 100VAc;
 - CONTACT RESISTANCE:** 40m Ω Ohms Max. ;
 - INSULATION RESISTANCE:** 100M Ohms Min. ;
 - ENVIRONMENTAL:**
 - OPERATING TEMPERATURE:** -40° C~+85° C;
 - WETTING TEMPERATURE:** 265±5° C, 5±0.5s;

PIN DEFINE TABLE			
PIN	SIGNAL	PIN	SIGNAL
A12	GND	B1	GND
A11	/	B2	/
A10	/	B3	/
A9	VBUS	B4	VBUS
A8	/	B5	CC2
A7	D-	B6	D+
A6	D+	B7	D-
A5	CC1	B8	/
A4	VBUS	B9	VBUS
A3	/	B10	/
A2	/	B11	/
A1	GND	B12	GND



(TOP VIEW)
 RECOMMENDED P.C.B. LAYOUT (T:1.0~1.2mm)
 TOLERANCE UNSPECIFIED ±0.06mm

NO.	PART NAME	Q'TY	MATERIAL	FINISH
5	Back Shell	1	Stainless Steel, T=0.20mm	30u"Ni Min.
4	Front Shell	1	Stainless Steel, T=0.30mm	30u"Ni Min.
3	MID PLATE	1	Stainless Steel, T=0.15mm	No Plating
2	Contact	14	Copper Alloy, T=0.15mm	Au/Ni or Au/Sn/Ni-Plated
1	Housing	1	High temperature plastic	UL94 V-0, Black

NO.	COLOR	镀金1u"	镀金3u"	镀金1u"+雾锡	镀金3u"+雾锡
1	WHITE	1014-DGW003	1014-DHW003	1014-DAW003	1014-DBW003
2	BLACK	1014-DGB003	1014-DHB003	1014-DAB003	1014-DBB003

CUSTOMER		GENERAL TOLERANCES UNLESS SPECIFIED		TITLE:
SIZE	UNITS	X±0.50	X'±5.0'	TYPE-C 14P侧插母座 加高2.6前直后鱼叉脚
A4	MM[INCH]	.X±0.35	.X'±3.0'	PART NO.:
SCALE	REV.	.XX±0.25	.XX'±2.5'	See the List
1:1	1	.XXX±0.15	.XXX'±2.0'	DESIGN BY:
				ERIC

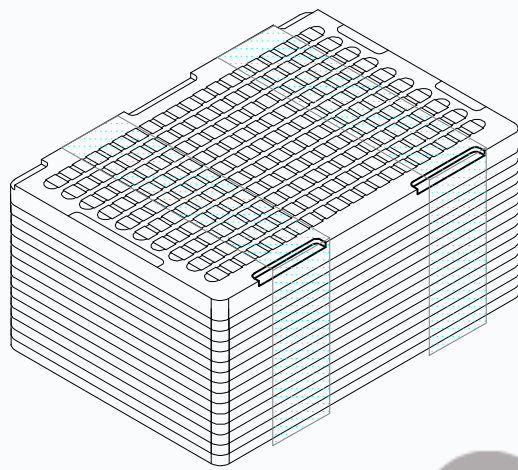
CMTDDZ 东莞市田都科技有限公司
 Dongguan TianDu Technology Co. Ltd.

DWG NO.: T11-14CF01 垫高2.6

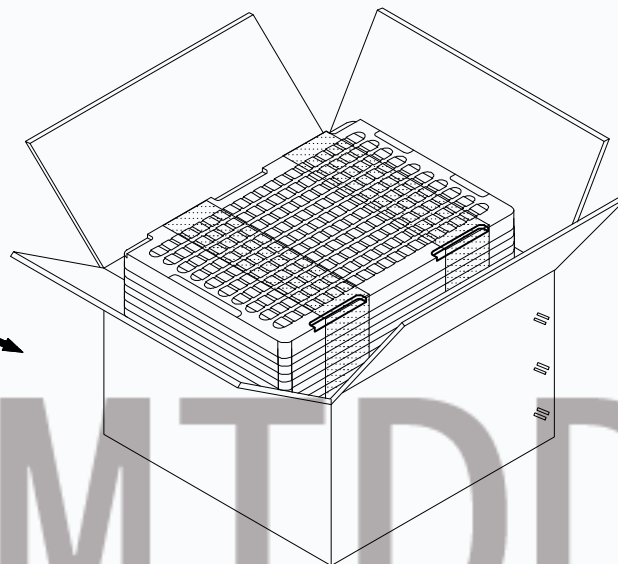
SHEET 1/2

RoHs

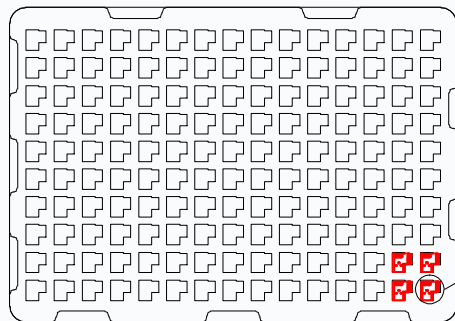
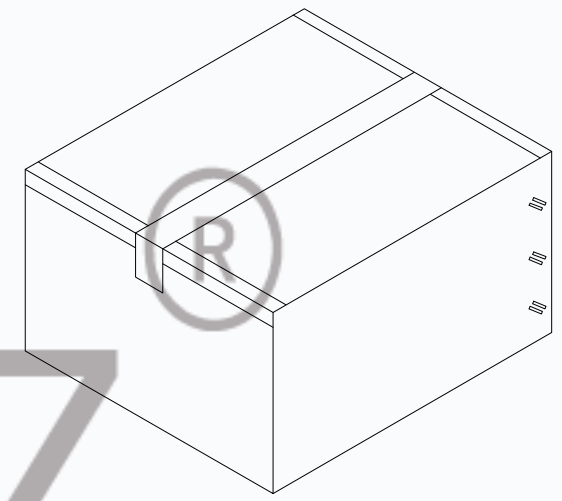
VER	MARK	PR. BY	ECR/ECN	DESCRIPTION	DATE
A		ERIC		NEW RELEASE	08/07' 20



30盘/扎



2扎/箱



CMTDDZ

说明:

1. 每盘装170PCS, 30盘为1扎, 在每扎最上层放1空盘, 用PE膜缠绕好, 并贴上1PCS物料标签;
2. 将2扎包装好的产品叠放在一起装入指定纸箱内并在外箱贴上1PCS物料标签;
3. 在搬运过程中要轻拿轻放;
4. 在运输中不可堆放过多(1.8M最高), 不可重压;

NO.	NAME	SPEC	Q' TY	PACKAGING		GENERAL TOLERANCES UNLESS SPECIFIED		TITLE:	DWG NO.:	SHEET	
				SIZE	UNITS	X±1.0	X'±5.0'	TYPE-C 14Pin侧插母座加高 2.6前直后鱼叉脚一包装图			
①	TYPE C Rec.		10200PCS/CARTON	A4	MM[INCH]	.X±0.50	.X'±3.5'	PART NO.:	CMTDDZ 东莞市田都科技有限公司 Dongguan TianDu Technology Co. Ltd.	2/2	
②	TRAY	PET, 338*238mm	62PCS/CARTON			.XX±0.30	.XX'±2.5'	DESIGN BY:			
③	CARTON	CORRUGATED BOARD, K=K 515*365*160mm	1PCS/PACKAGE	SCALE 1:1	REV. 1	.XXX±0.15	.XXX'±1.5'	ERIC			

