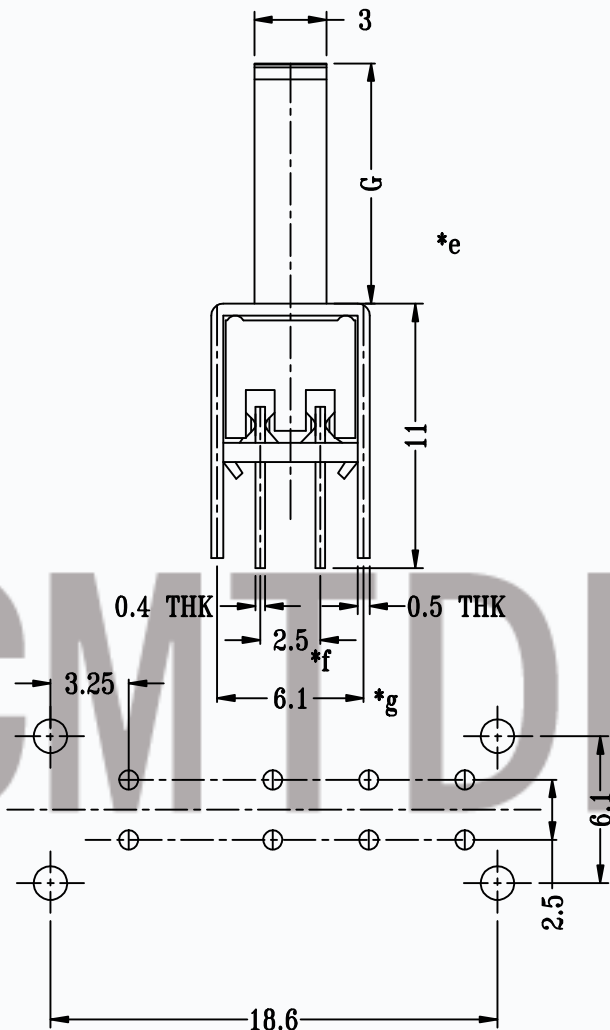
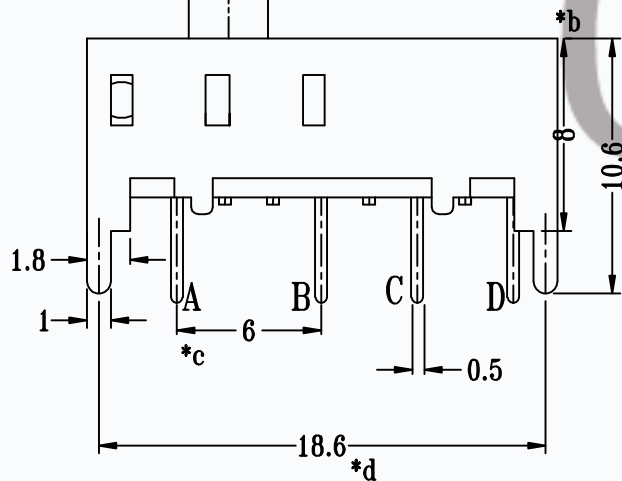
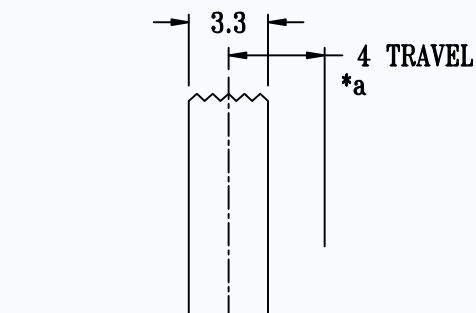
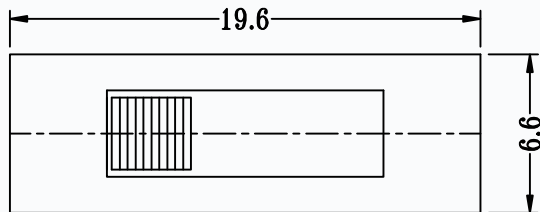


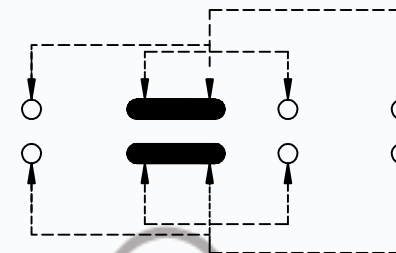


CAD FILE:



P.C.B LAYOUT
BOTTOM VIEW

MODEL NO.	KNOB(G/VG)
T2-234037-G	(2~15)mm



SCHMATIC (NON-SHORTING AND SHORTING)

A ⇌ C:NON-SHORTING
C ⇌ D:SHORTING

SPECIFICATIONS	
Rating	0.5A 50V DC
CIRCUIT	2P3T
Timing	NON-SHORTING AND SHORTING
Travel	4.0mm
Contact Resistance	< 100 mΩ
Operating Force	250gf ± 100gf
Operating Life	10,000 cycles

NO.	PARTS	MATERIALS	Q'TY	FINISH	TOLERANCE	DESCRIPTIONS OF REVISION	APPD.
8					UNLESS SPECIFIED WITHIN 1.5mm : ±0.1mm OVER 1.5mm : ±0.2mm		
7	STEEL BALL	STEEL	1	NATURAL			
6	SPRING	STEEL WIRE	1	NATURAL			
5	CONTACT CLIP	PBS STRIP	2	Ag PLATED			
4	TERMINAL	BRASS STRIP	8	Ag PLATED			
3	BASE	PHENOLIC RESIN	1	NATURAL			
2	KNOB	PA66	1	BLACK			
1	FRAME	STEEL STRIP	1	NI PLATED			
					TITLE : VERTICAL SLIDE SWITCH	UNIT : mm	DRWG NO.: CMTDDZ-T2-234037-00
					MODEL: T2-234037-G	SCALE: 3:1	DWN. ERIC 2013-6-17
					CMTDDZ 东莞市田都科技有限公司 DONGGUAN TIANDU TECHNOLOGY CO.,LTD.	CHK'D MAIKO	2013-6-17
						APPD. Coco	2013-6-17

THESE DRAWINGS AND SPECIFICATIONS ARE THE PROPERTY OF DONGGUAN TIANDU TECHNOLOGY CO.,LTD. AND SHALL NOT BE REPRODUCED, COPIED OR USED IN ANY MANNER WITHOUT THE PRIOR WRITTEN CONSENT OF DONGGUAN TIANDU TECHNOLOGY CO., LTD