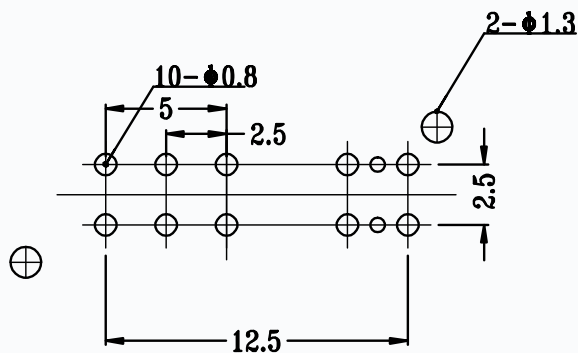
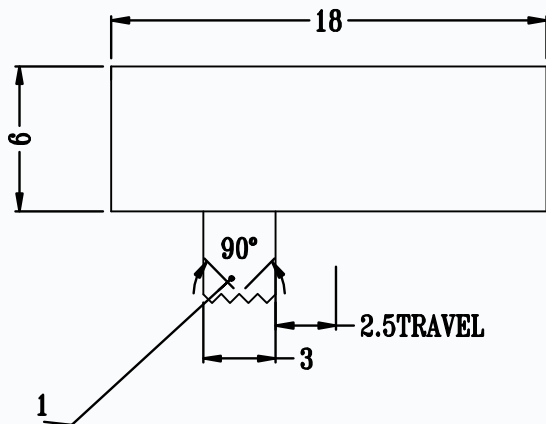
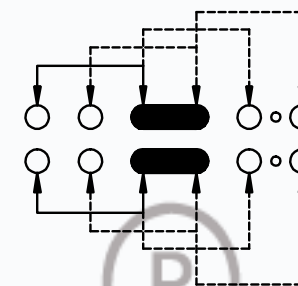


CAD FILE:



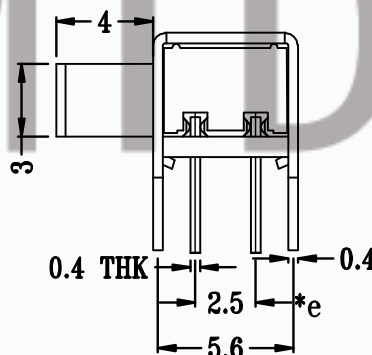
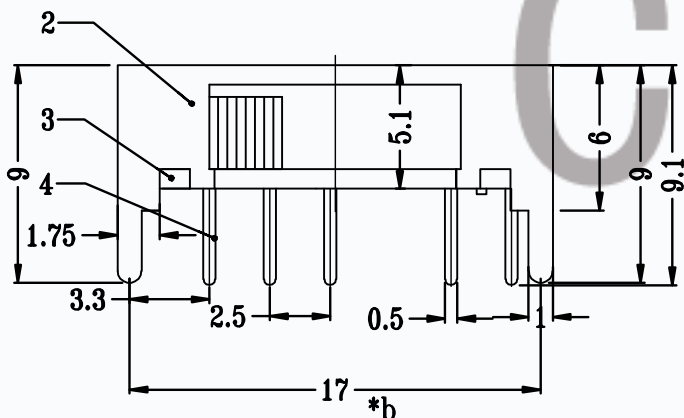
P.C.B LAYOUT

MODEL NO.	KNOB(G/VG)
T3-242504-G-01 L2R3	(2~15)mm



(SCHEMATIC) (SHORTING AND NONSHORTING)

- a ↔ b: SHORTING (Instant)
- b ↔ d: NON-SHORTING
- d ↔ e: NON-SHORTING



SPECIFICATIONS

Rating	0.3A 50V DC
CIRCUIT	2P3T
Timing	NON-SHORTING
Travel	2.5mm
Contact Resistance	< 100 mΩ
Operating Force	250gf ± 100gf
Operating Life	10,000 cycles

8				
7	STEEL BALL	STEEL	1	NATURAL
6	SPRING	STEEL WIRE	1	NATURAL
5	CONTACT CLIP	PBS C5210R-EH	2	Ag CLAD
4	TERMINAL	BRASS STRIP	10	Ag PLATED
3	BASE	PHENOLIC RESIN	1	NATURAL
2	KNOB	POM	1	BLACK
1	FRAME	STEEL STRIP	1	NI PLATED
NO.	PARTS	MATERIALS	Q'TY	FINISH

TOLERANCE
UNLESS SPECIFIED
WITHIN 1.5mm : ±0.1mm
OVER 1.5mm : ±0.2mm

THESE DRAWINGS AND SPECIFICATIONS ARE THE PROPERTY OF DONGGUAN TIANDU TECHNOLOGY CO.,LTD. AND SHALL NOT BE REPRODUCED, COPIED OR USED IN ANY MANNER WITHOUT THE PRIOR WRITTEN CONSENT OF DONGGUAN TIANDU TECHNOLOGY CO., LTD

DESCRIPTIONS OF REVISION APPD.

TITLE : VERTICAL SLIDE SWITCH		UNIT : mm	DRWG NO.:CMTDDZ-T3-242504-G-01		
MODEL: T3-242504-G-01 L2R3		SCALE: 3:1	DWN.	ERIC	2013-6-17
CMTDDZ 东莞市田都科技有限公司			CHK'D	MAIKO	2013-6-17
DONGGUAN TIANDU TECHNOLOGY CO.,LTD.			APPD.	Coco	2013-6-17