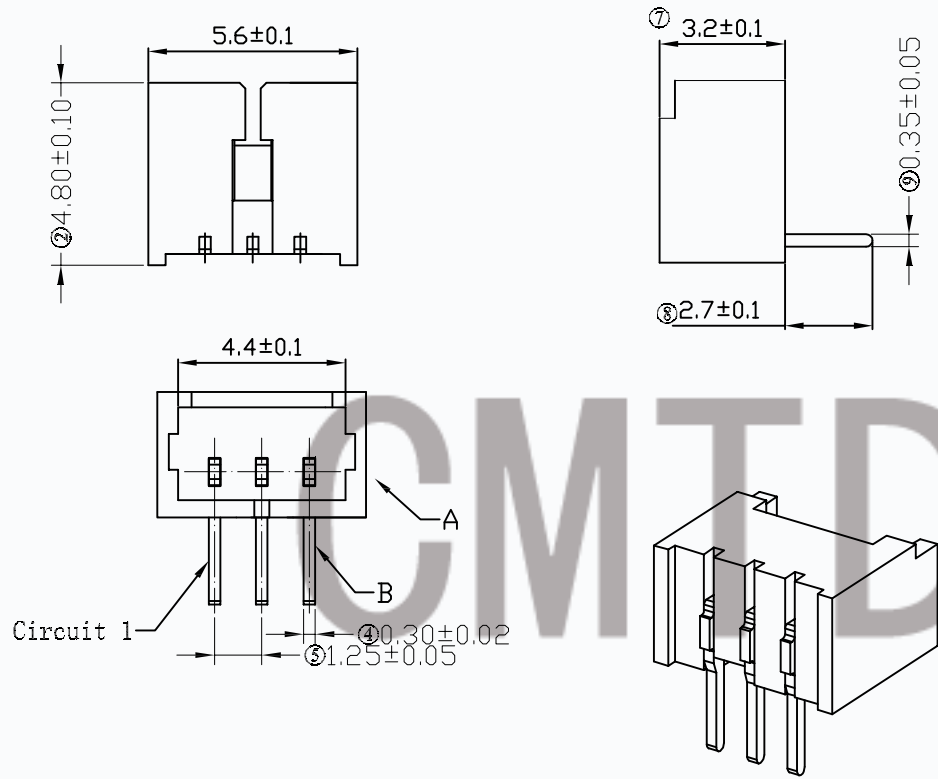


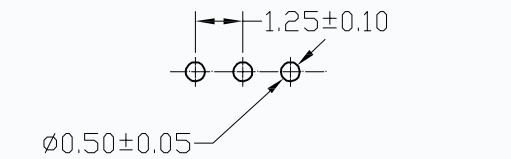
RoHS Compliant

REV.	ECN. NO.	DESCRIPTION	APPD.
	NEW RELEASE		



SPECIFICATION

- 1 Contact resistance: $\leq 20m\Omega$
- 2 Insulation resistance: $\geq 100M\Omega$
- 3 Rated voltage: 125 V AC DC
- 4 Rated current: 1.0 A AC DC
- 5 Withstand Voltage: 250V AC/minute
- 6 Temperature Range: $-25^{\circ}C \sim +85^{\circ}C$



SUGGESTED PCB LAYOUT
(COMPONENT SIDE)

B	Contacts	2~16	Phosphor Bronze	Tin-plated
A	Insulator	1	PA46 (UL94V-0)	Beige
NO.	DESCRIPTION	QTY	MATERIAL	PLATING/COLOR



一般公差 (TOLERANCE)
 X ±.50 .XX ±.10
 X ±.20 .XX ±.05
 ANGLES ±1°

CMTDDZ 东莞市田都科技有限公司 Dongguan TianDu Technology Co. Ltd.		制图 (DR)	ERIC
品名 (TITLE)	1.25mm PITCH 90 ° WAFER	校对 (CHKD)	
料号 (DWG.NO)	T19-125LWT 系列	审核 (APPD)	
比例 (SCALE)	1:1	单位 (UNITS)	mm
		张数 (SHEET)	1 OF 1
		SIZE	A4
		REV	A