

REV	LTR	DESCRIPTION	DATE	APPROVED

规格说明: Specifications:

电气特性: Electrical:

1. 额定电流: Current Rating
1.5A/contact terminal
2. 额定电压: Voltage Rating
30V DC
3. 接触阻抗: Contact Resistance
30 milliohms MAX
4. 耐电压: Dielectric Withstanding Voltage:
500 V AC AT Sea Level
5. 绝缘阻抗: Insulation Resistance:
1000MEGA ohms MIN

物理性能: Mechanical:

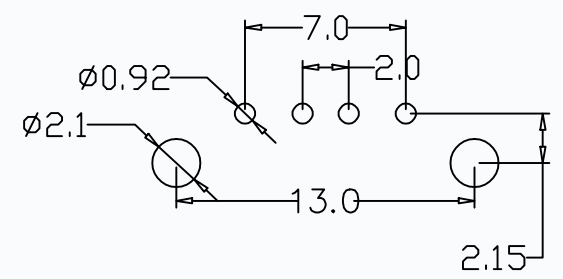
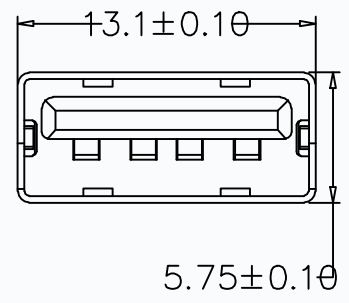
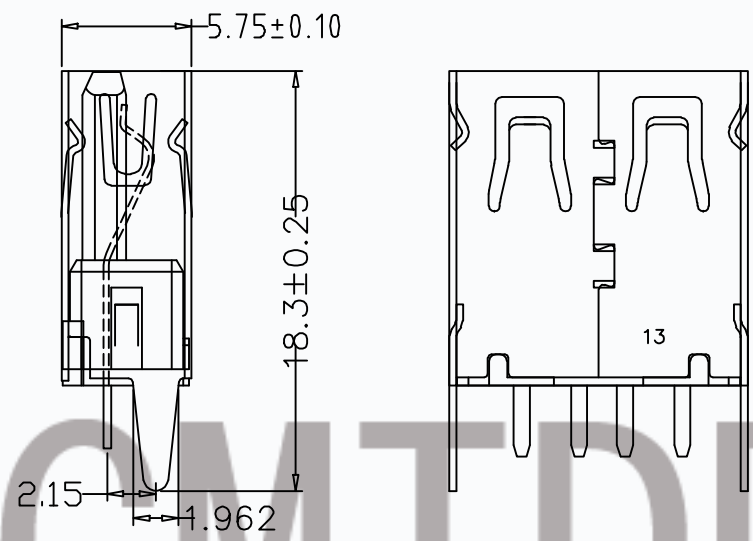
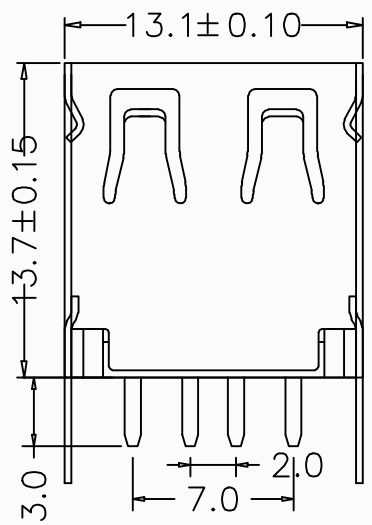
1. 插拔力: Connector Mate and Unmate Force
Mate force: 3.57kgf(MAX)
Unmate force: 1.02kgf(MIN)

原材料: Material:

1. 塑胶: Housing:
Hing Temperature Ternmaplastics,
2. 端子: Contact: Copper Alloy C2680
3. 外壳: Shell: Copper Alloy C2680/SPCC

电镀: Finish:

1. 端子: Contact: Plated Gold in Mating Area
Tin On Solder Talls
端子四周镀50U”(MIN)镍, 镀全区域镀100-200U”镀金1U”
2. 外壳: Shell:
铁壳—铜壳四周镀80U”(MIN)镍
Nickel Plating



TOLERANCES	
.X	±0.30
.XX	±0.20
.XXX	±0.15
ANGLES	±2.00°

CMTDDZ 东莞市田都科技有限公司
Dongguan TianDu Technology Co. Ltd.

APPROVED:	TITLE: 13.7直边直脚		
CHECKED:	PART NO.: T10-2F137-02	PROJECTION:	
DRAWING:	REV.: A/0	SIZE: A4	UNIT: M M SCALE: 1:1 SHEET: 1/1