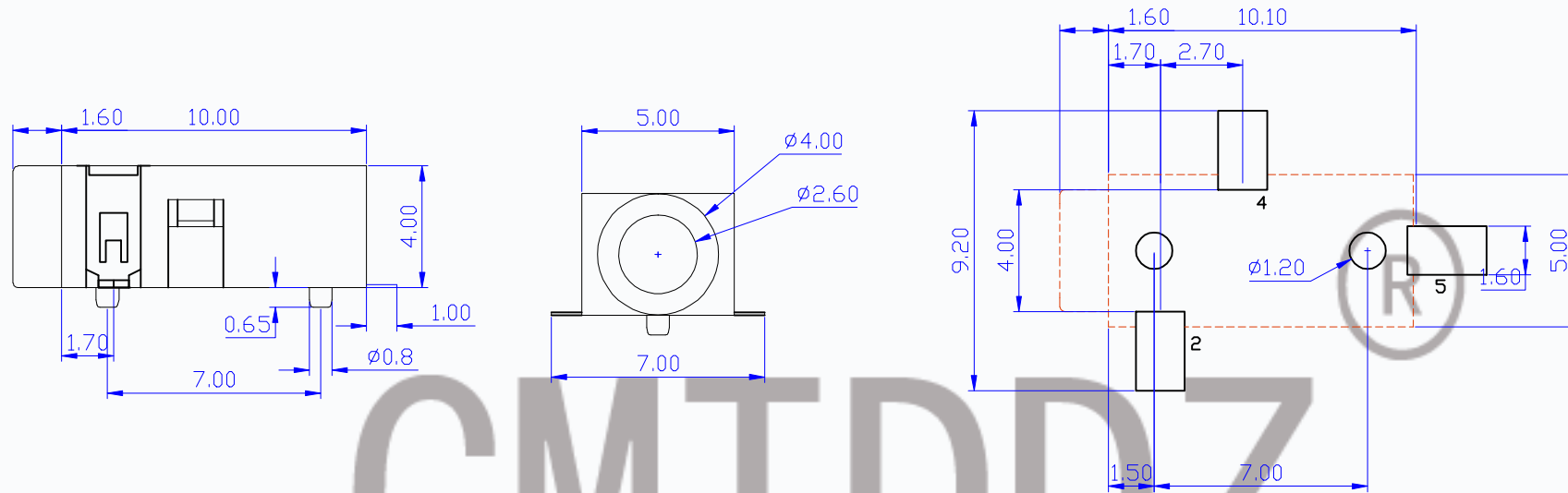


P.C.B LAYOUT TOP VIEW

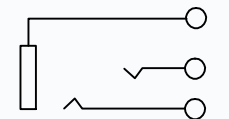


主要技术性能

1. 额定电负荷: 30V 0.2A;
2. 接触电阻: $< 0.03\Omega$;
3. 绝缘电阻: $> 100M\Omega$;
4. 耐压: AC250V (50Hz) min;
5. 插拔力: 5-15N;
6. 寿命: 5000次

主要技术要求

1. 未注线性公差:
 - 0.0-10.0mm ± 0.10 mm
 - 10.0-20.0mm ± 0.15 mm
 - 20.0-50.0mm ± 0.20 mm
2. 外观应良好, 无锈蚀、裂痕、电镀不良等现象。



TOLERANCE UNLESS SPECIFIED WITHIN 1.5mm : ± 0.1 mm OVER 1.5mm : ± 0.2 mm	THESE DRAWINGS AND SPECIFICATIONS ARE THE PROPERTY OF DONGGUAN TIANDU ELECTRONICS CO.,LTD. AND SHALL NOT BE REPRODUCED, COPIED OR USED IN ANY MANNER WITHOUT THE PRIOR WRITTEN CONSENT OF DONGGUAN TIANDU ELECTRONICS CO., LTD		DESCRIPTIONS OF REVISION		APPD.
TITLE :			UNIT : mm	DRWG NO.:CMTDDZ-T13-2508S	
MODEL: T13-2508S			SCALE: 3:1	DWN.	ERIC 2013-6-17
CMTDDZ 东莞市田都电子有限公司 DONGGUAN TIANDU ELECTRONICS CO.,LTD.			CHK'D		ERIC 2013-6-17
			APPD.		JEFF 2013-6-17