

REV.	DESCRIPTION	NAME	DATE
A		ERIC	2020/03/05
B		ERIC	2021.06.05

NOTE:

1.MATERIAL SPECIFICATION:

- 1.HOUSING:HIGH TEMPERATURE RESISTANT PLASTIC,UL94 V-0.
- 2.CONTACTS:COPPER ALLOY
- 3.MID PLATE: STAINLESS STEEL
- 4.INSIDE SHELL: STAINLESS STEEL
- 5.OUTSIDE SHELL:STAINLESS STEEL

2.PLATING SPECIFICATION:

- 2-1.CONTACTS:
Ni 50u" MIN. UNDER PLATED OVER ALL.
Au PLATED ON THE FUNCTIONAL AREA OF CONTACT.
(GOLD PLATING THICKNESS FOLLOW THE P/N)
GOLD FLASH PLATING ON SOLDER AREA

2-2.INSIDE SHELL OR OUTSIDE SHELL:

- Ni 30u" MIN. UNDER PLATED OVER ALL.

3.MECHANICAL PERFORMANCE,

- 3-1.INSERTION FORCE: 0.5~2.0kgf.
- 3-2.REMOVAL FORCE: 0.8kgf~2.0kgf.
- 3-3.DURABILITY: 10000 CYCLES.

4.ELECTRICAL PERFORMANCE,

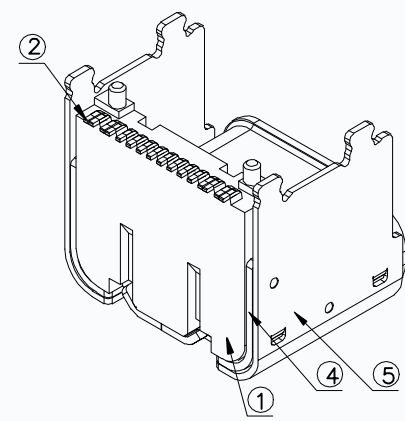
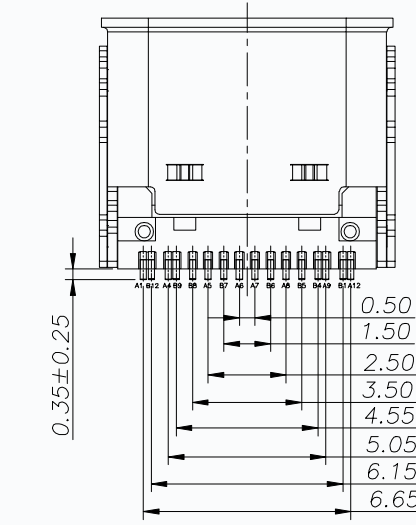
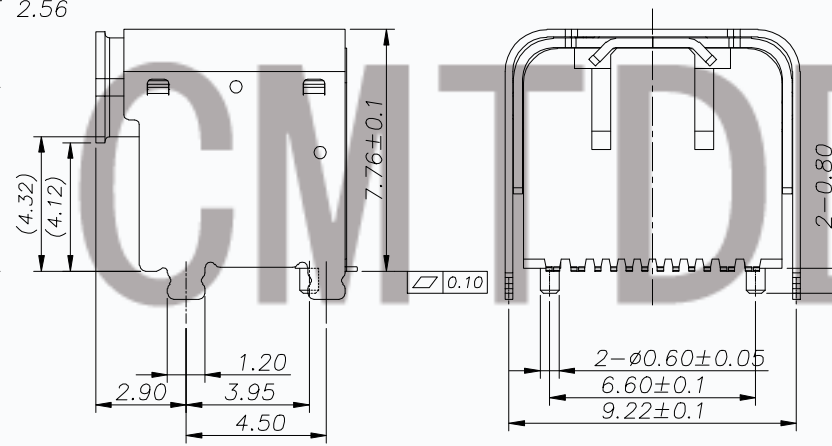
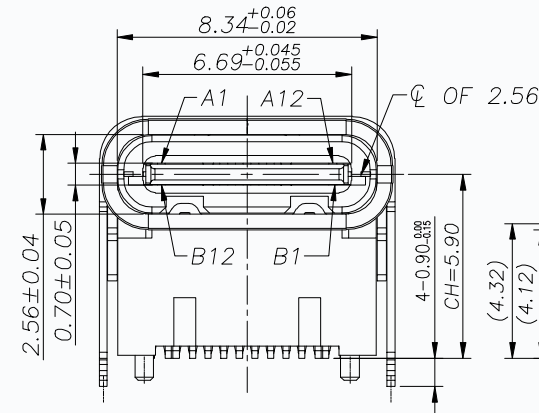
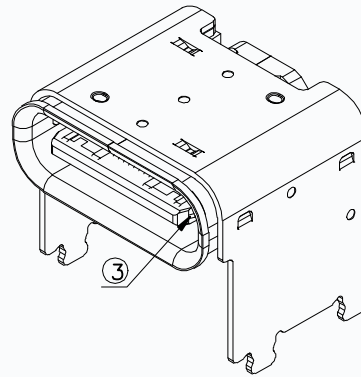
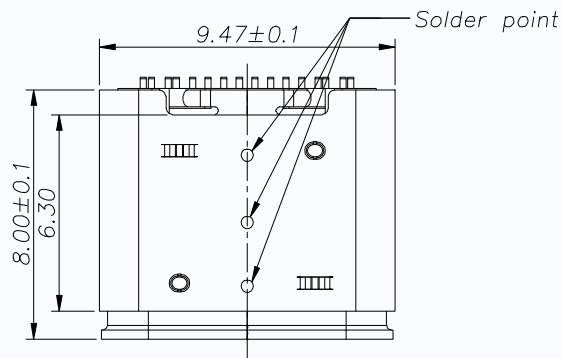
- 4-1. CURRENT RATING:5A
VOLTAGE RATING:20V
- 4-2.INSULATION RESISTANCE: 100MΩ MIN
- 4-3.DIELECTRIC WITHSTAND VOLTAGE,AC 100V FOR 1 MINUTE.
- 4-4.LOW CONTACT RESISTANCE: INITIAL 40MΩ
AFTER 50MΩ

5. ENVIRONMENTAL PERFORMANCE:

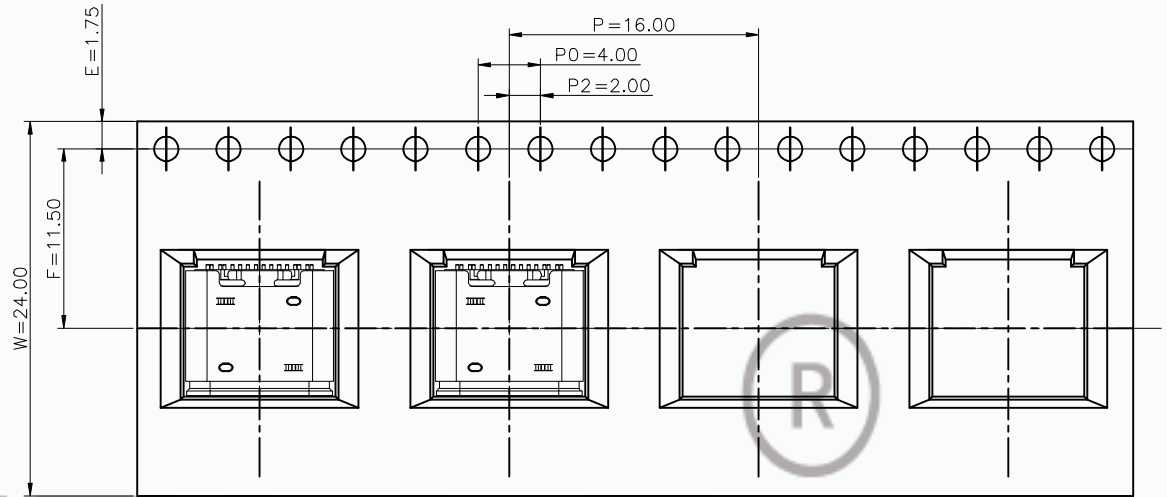
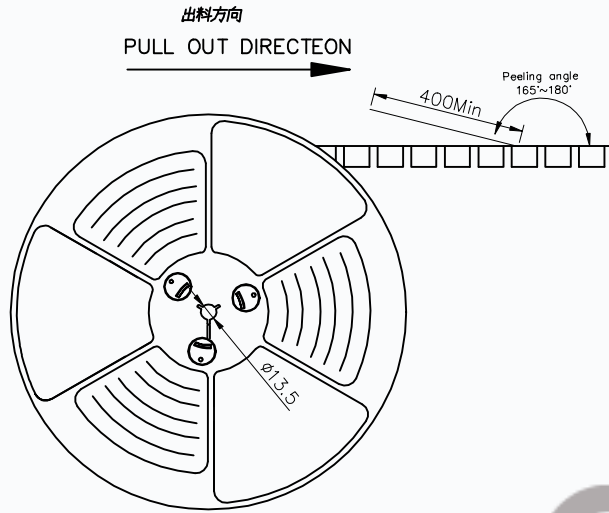
- OPERATING TEMPERATURE: -30°C~+80°C.

6.IR REFLOW:

- THE PEAK TEMPERATURE ON THE BOARD SHALL BE MAINTAINED FOR 10 SECONDS AT 260°C.

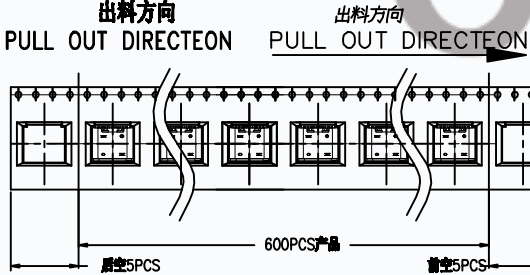


TOLERANCE UNSPECIFIED		CMTDDZ 东莞市田都科技有限公司 Dongguan TianDu Technology Co. Ltd.			
.0	±0.35	TITLE: USB TYPE C 16PIN 板上墊高4.30mm			
.00	±0.25				
.000	±0.15				
X °	±1.00°				
ASSEMBLY DRAWING		SIZE:A4	UNIT:mm.	PART. NO: T11-16BS04A-CH5.9	
DRAWN DATE	ERIC 2021/06/05	SCALE: 1:1	PROJECTION	REV.: B	
CHECKED DATE	ERIC 2021/06/05	DWG PATH	T11-16BS04A-CH5.9	PATH	1/3
APPROVED DATE	JEFF 2021/06/05				



NOTES

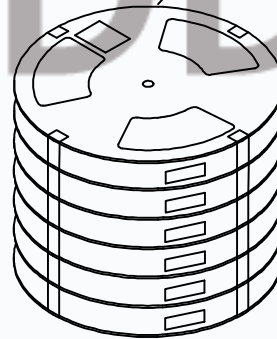
1. 帶子引導長度
LEAD TAPE LENGTH
出料方向
PULL OUT DIRECTEON



2. 上帶 剝離力為: 0.1~1.3N(10.2gf~130gf)
PEELING OFF FORCE OF TOP TAPE: 0.1~1.3N(10.2gf~130gf)
出貨運輸過程中一定注意:
THIS REQUIREMENT SHOULD BE APPLIED AT SHIPMENT;
卷帶在運輸過程中不能散開
PEELING OFF SHOULD NOT BE ALLOWED DURING TRANSPORTATION

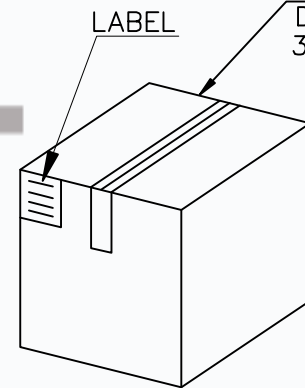
TAPE & REEL 7 PCS

1 REEL
= 600 PCS



BOX

DIMENSIONS:
39.5X39.5X20



1 CARTON
= 6 REELS
= 3600 PCS

包裝明細表 (The detail of the packing) Carton

產品料號 (Product No.)	包裝容量 (Packing Capacity)			重量 Weight (Kg)		
	pcs/box	boxs/Carton	Pcs/Box	N.W./Pcs	N.W./Box	G.W./Box
T11-16BS04A-CH5.9	600	6	3600	—	—	—

TOLERANCE UNSPECIFIED

.0	±0.35
.00	±0.25
.000	±0.15
X.°	±1.00°

ASSEMBLY DRAWING

CMTDDZ 东莞市田都科技有限公司
Dongguan TianDu Technology Co. Ltd.

TITLE: USB TYPE C 16PIN,
板上墊高4.30mm

DRAWN DATE	ERIC 2021/06/05	SIZE: A4	UNIT: mm.	PART. NO:	T11-16BS04A-CH5.9
CHECKED DATE	JEFF	SCALE: 1:1	PROJECTION	REV.: B	
APPROVED DATE	ERIC 2021/06/05	DWG PATH	T11-16BS04A-CH5.9	PATH	3/3