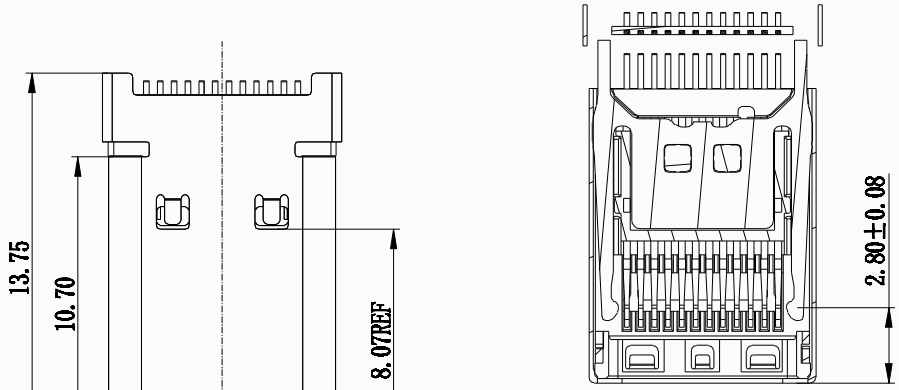


REV.	ZONE	DESCRIPTION	DESIGN	DATE
B		NEW		



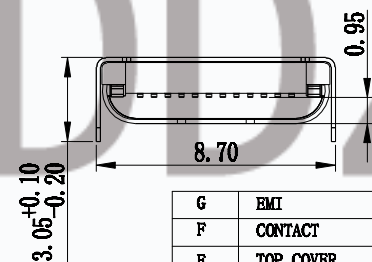
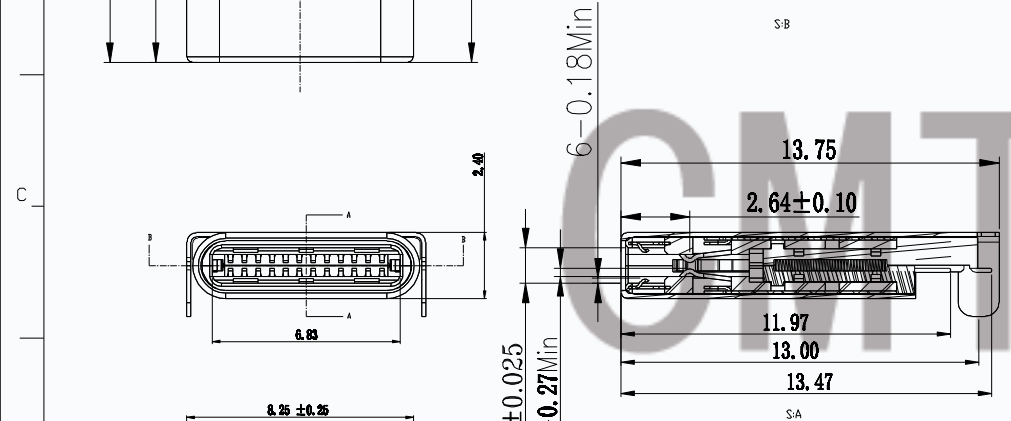
**1. Material:**  
 Contacts: Copper alloy T=0.15  
 Insulator: HIGH TEMPERATURE PLASTIC UL 94V-0,  
 Shell: STEEL T=0.15  
 MID Plate: Stainless Steel  
 EMI Plate: Stainless Steel

**2. Electrical:**  
 Current-max[amps]: 5A Max For Vbus/GND PIN;  
 0.9A Max For Other PIN.  
 Withstanding Voltage: 100V AC R.M.S  
 Contact Resistance [ohms]: 40mΩ Max. For  
 Initial 10mΩ. Change After  
 Test. Measure AT 20mV, 100mA  
 Insulation Resistance [ohms]: 100 mΩ min.

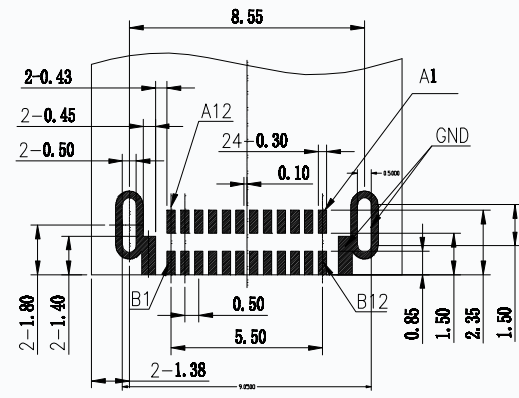
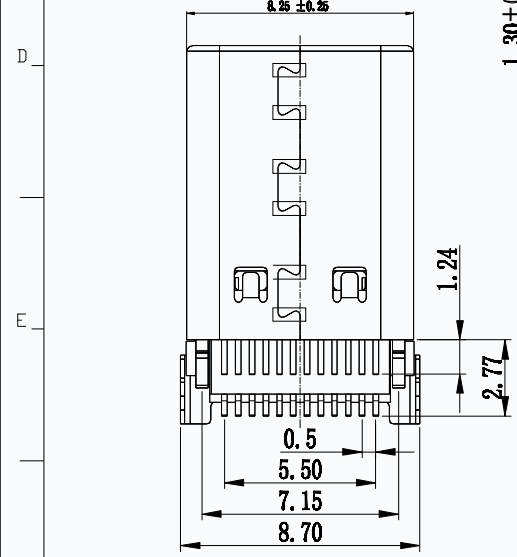
**3. MECHANICAL CHARACTERISTICS:**  
 Mating force: 5~20N  
 Unmated Force: 6~20N After test.  
 Durability: 10000 cycles min.

**4. Plating:**  
 Contacts: SEE TABLE Au plated on contact area,  
 Fog SN plating 80~100u"Min on solder area  
 Nickel Under plating 20u"Min over all  
 Gnd pin: Plating 30u"min Nickel under overall  
 on solder SN 80u"Min  
 Shell : plating 50~100u"Nickel over

**5. Environmental**  
 Temperature Range: -55° C~+85° C



G	EMI	2	SUS301	—
F	CONTACT	12	C7025	Au: 1U"
E	TOP COVER	1	LCP+30%GF, UL 94V-0	BLACK
D	BOTTOM COVER	1	LCP+30%GF, UL 94V-0	BLACK
C	GND PIN	1	SUS301	30U" min NI on SN Plating
B	CONTACT	12	C7025	Au: 1U"
A	SHELL	1	SUS301	50~100u" NICKEL Plating
NO	DESCRIPTION	QTY	MATERIAL	PLATING & COLOR



Recommended P. C. B Layout  
 Tolerance ±0.05

A12	A11	A10	A9	A8	A7	A6	A5	A4	A3	A2	A1
GND	RX2+	RX2-	V <sub>bus</sub>	SBU1	D-	D+	CC1	V <sub>bus</sub>	TX1-	TX1+	GND
GND	TX2+	TX2-	V <sub>bus</sub>	CC2	D+	D-	SBU2	V <sub>bus</sub>	RX1-	RX1+	GND
B1	B2	B3	B4	B5	B6	B7	B8	B9	B10	B11	B12

1	USB TYPE-CM 端子SMT+SMT 不锈钢DIP脚外壳 黑色料雾锡高导电铜Gold Flash成品 (卷装)	2711-4421-27D	不锈钢壳盖; 黑胶; 高导电C7025端子G/F U"
ITEM	Part Name	Part No.	Marker

**TABLE:**

X.	±0.50	X.*	± 2°	UNITS	mm
.X	±0.30	.X.*	± 1°		
.XX	±0.10	.XX.*	± 0.5°	MAT'L	/
.XXX	± 0.05				
				FINISH	/
				Q'TY	

**CMTDDZ 东莞市田都科技有限公司**  
 Dongguan TianDu Technology Co. Ltd.

TITLE: TYPE-C 24PIN 沉板公头 双排贴片 普通款

APPD: /

CHKD: /

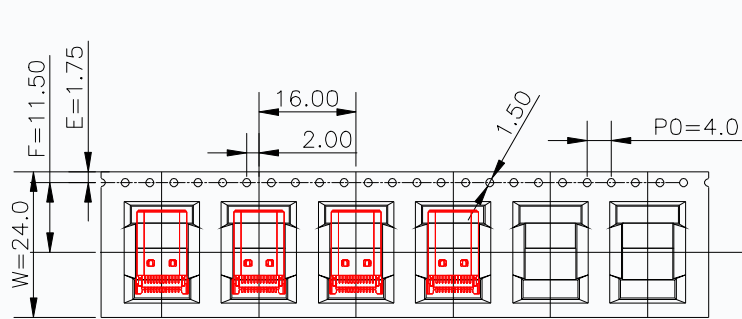
DR: /

DWG NO.: T11-3M-009S

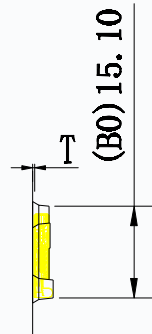
SCALE SHEET REV.  
 1/1 1/2 A1



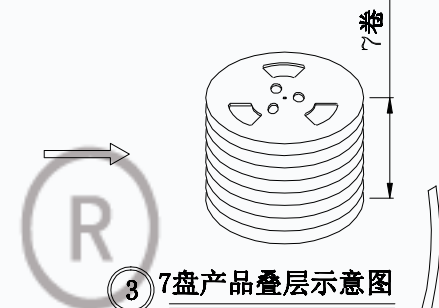
REV.	ZONE	DESCRIPTION	DESIGN	DATE
B		NEW		



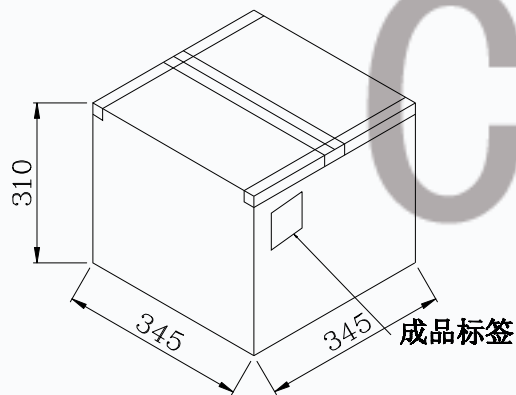
① 产品入载带示意图



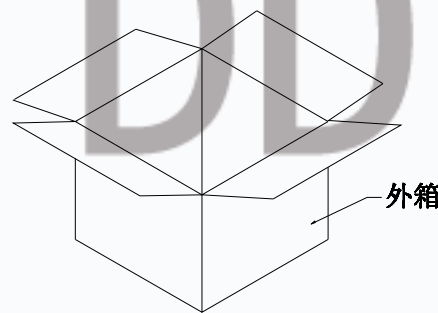
② 卷盘贴标签示意图



③ 7盘产品叠层示意图



⑤ 外箱封箱示意图



④ 产品入外箱示意图

	REEL	CARTON
CONNECTOR (PCS)	1000	7000

**包装说明:**

1. 将检验好的成品;对插口朝前放入载带;每卷装1000PCS产品;具体如图一所示
2. 将包装好的产品;每盘必需贴上内标签;具体如图二所示
3. 将贴好内标签的产品每7盘叠;具体如图三所示
5. 装好后并封好纸箱及贴好相关标签;具体如图五所示;  
(产品包装的标签,如客户有要求,请按客户要求包装出货)
6. 载带前面留22PCS空格,后面留22PCS空格
7. COVER与CARRY剥离力:50-125g,速度:300mm/分钟左右,剥离角度:165°-180°

X. ±0.50	X.* ± 2°	UNITS mm	CMTDDZ 东莞市田都科技有限公司 Dongguan TianDu Technology Co., Ltd.
.X ±0.30	.X* ± 1°		
.XX ±0.10	.XX* ± 0.5°	MAT'L /	TITLE: TYPE-C 24PIN 沉板公头 双排贴片 铆压款包装规范
.XXX ± 0.05			
		FINISH /	APPD:
		Q'TY /	CHKD:
			DR:
			DWG NO.: T11-3M-009S
			SCALE SHEET REV. N/A 2/2 A1