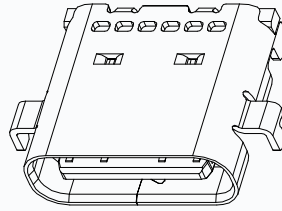
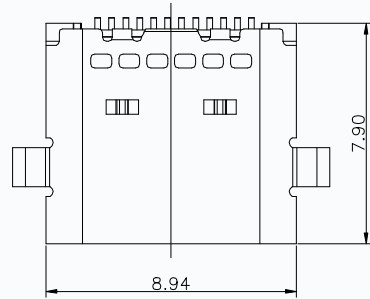
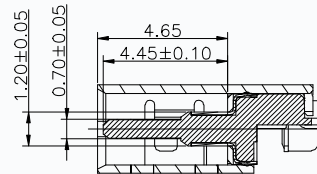
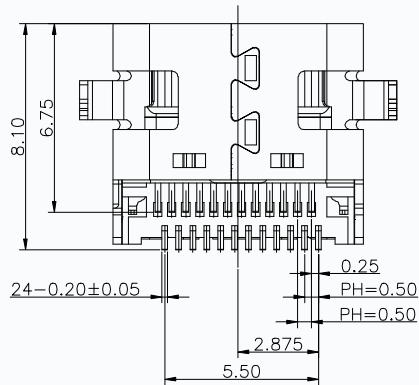
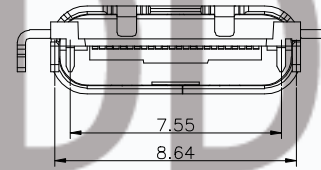
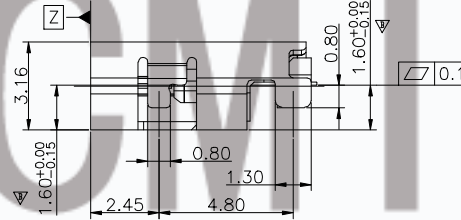
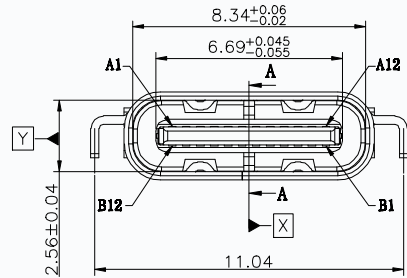


REV	ECN No.	DATE	REMARK
A	NEW	2021.01.02	NEW RELEASE
B	---	2023.08.12	增加沉板1.6管控公差



NOTE:

- MATERIAL SPECIFICATION:
 - HOUSING: HIGH TEMPERATURE RESISTANT PLASTIC, UL94 V-0.
 - TERMINAL: COPPER ALLOY
 - MID PLATE: STAINLESS STEEL (SUS301 T=0.15mm)
 - FRONT SHELL: STAINLESS STEEL (SUS304 T=0.3mm)
 - EMI PLATE: STAINLESS STEEL (SUS304 T=0.10mm)
- PLATING SPECIFICATION:
 - TERMINAL:
 - Ni 50u" MIN. UNDER PLATED OVER ALL.
 - Au PLATED ON THE FUNCTIONAL AREA OF CONTACT. (GOLD PLATING THICKNESS FOLLOW THE P/N)
 - FRONT SHELL:
 - Ni 30u" MIN. UNDER PLATED OVER ALL.
 - MID PLATE
 - CLEAR ONLY
 - EMI PLATE:
 - Ni 30u" MIN. UNDER PLATED OVER ALL.
- MECHANICAL PERFORMANCE,
 - INSERTION FORCE: 0.5~2.0kgf.
 - REMOVAL FORCE: 0.8kgf~2.0kgf.
 - DURABILITY: 10000 CYCLES.
- ELECTRICAL PERFORMANCE,
 - VOLTAGE RATING: 5V/20V DC/AC (RMS. max)
 - CURRENT RATING: 5 AMPS. FOR TOTAL VBUS/GND PINS; 1.25AMPS FOR CC PIN, 0.25 AMPS. FOR ALL OTHER CONTACT.
 - LLCR:
 - VBUS & GND PINS AND OTHER PINS: 40mΩ/PIN MAX.
 - SHIELD: 50mΩ/MAX.
 - LLCR MAX. CHANGE OF ALL PINS: 10mΩ.
 - INSULATION RESISTANCE: 100MΩ MIN
 - DIELECTRIC WITHSTAND VOLTAGE, AC 100V FOR 1 MINUTE.
- ENVIRONMENTAL PERFORMANCE:
 - OPERATING TEMPERATURE: -25°~+85°.
- IR REFLOW:
 - THE PEAK TEMPERATURE ON THE BOARD SHALL BE MAINTAINED FOR 10 SECONDS AT 260°.
- PART NUMBER CODE:



SECTION A-A
SCALE 1:1

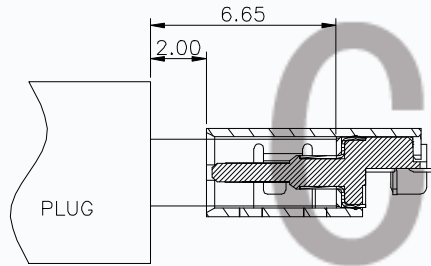
T11-24CB16 X X XX R - 02

HOUSING MATERIAL: L:LCP
 HOUSING COLOR: B:BLACK
 CONTACTS PLATED: 12: 接触镀金 3u"其它GF
 14: 接触镀金 15u"其它GF
 PACKING OPTIONS: R: 卷装

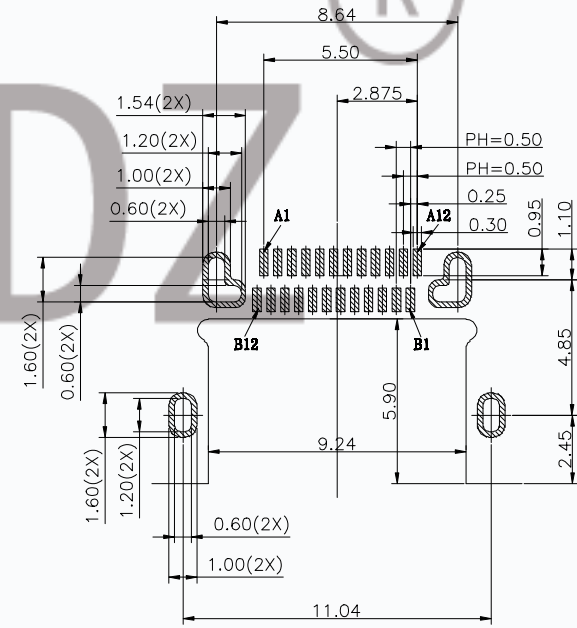
PART NO.: SEE THE PART NUMBER CODE		CMTDDZ 东莞市田都科技有限公司 Dongguan TianDu Technology Co., Ltd.		DRAWN BY: ERIC	
QUALITY SYMBOL	GENERAL TOLERANCES	TITLE		CHECKED BY: Coco	
	x.xxxx ± ---	USB TYPE C FEMALE 24PIN 沉板1.6		APPROVED BY: JEFF	
	x.xxx ± 0.10			DWG.NO. T11-24CB16	
	x.xx ± 0.25			1 OF 3	
x.x ± 0.30	THIRD ANGLE PROJECTION	UNIT mm	SCALE 1:1	SHEET NO. 1 OF 3	
ANGULAR ± ---					frame size: A4

RoHS Compliant

REV	ECN No.	DATE	REMARK
A	NEW	2021.01.02	NEW RELEASE
B	---	2023.08.12	增加沉板1.6管控公差



AFTER MATING



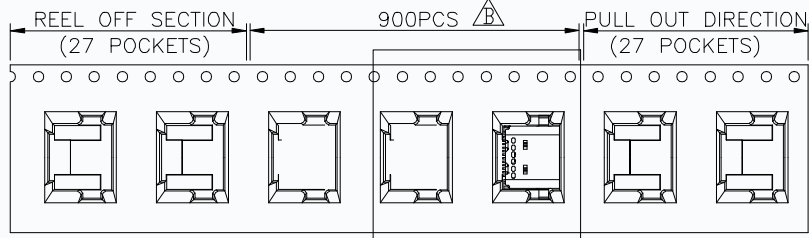
RECOMMEND P.C.B LAYOUT(COMPONENT SIDE)
TOLERANCE FOR PCB LAYOUT IS ±0.05

PIN DEFINITION:

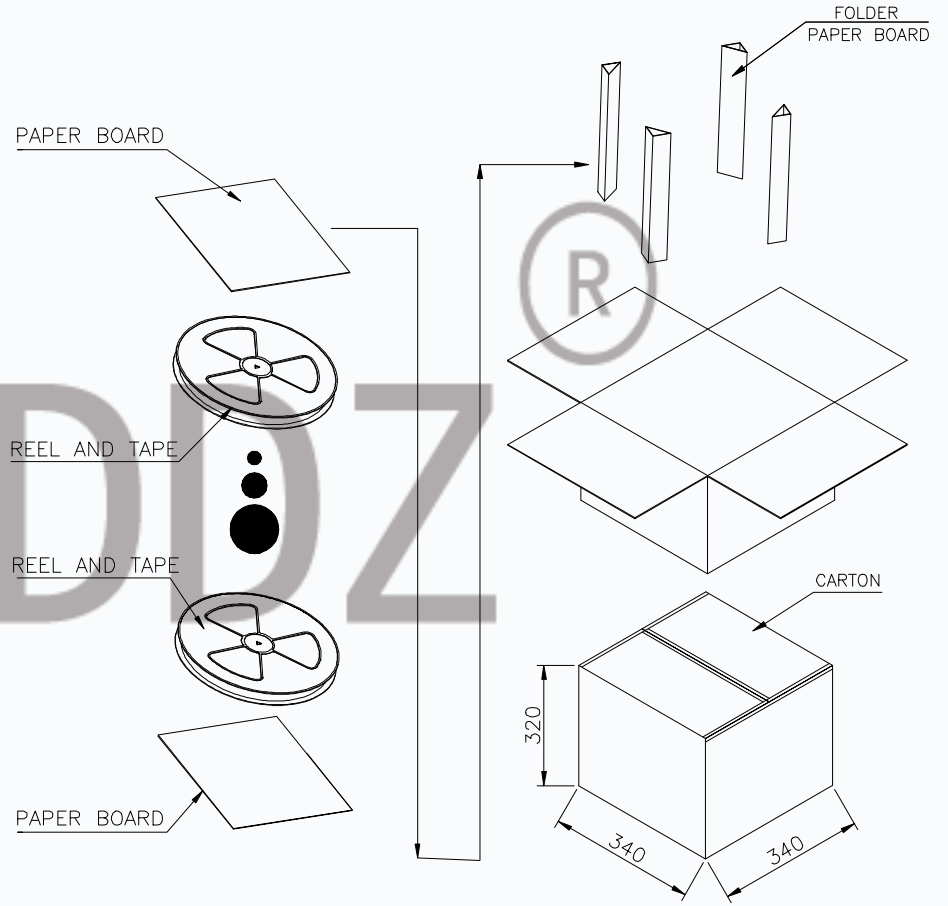
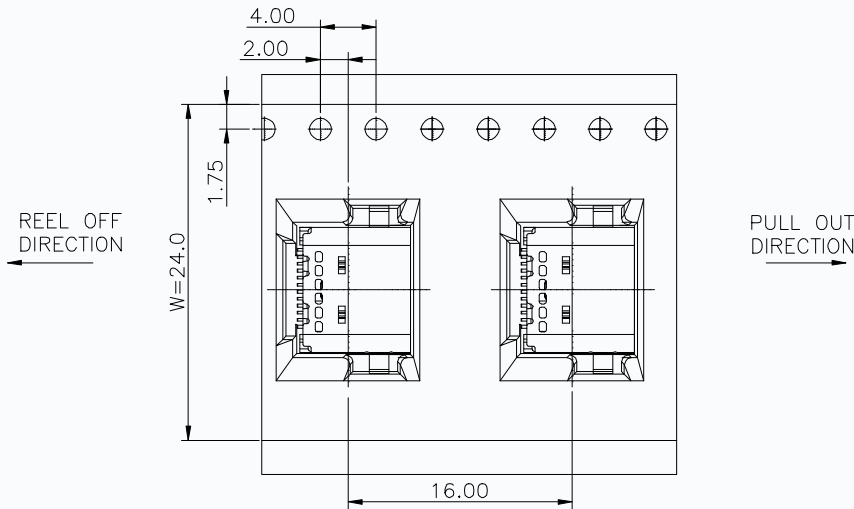
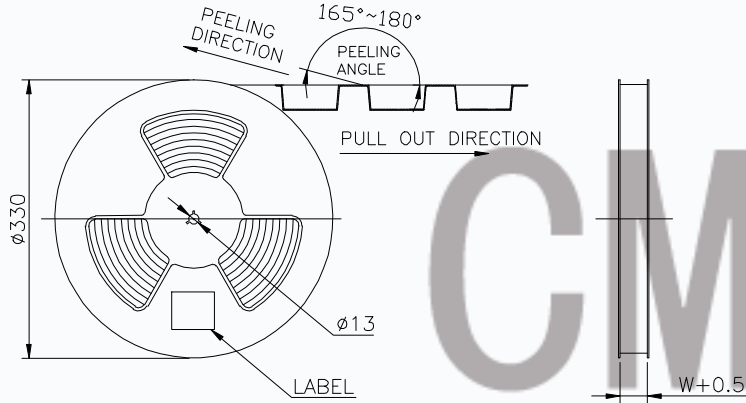
PIN No.	A1	A2	A3	A4	A5	A6	A7	A8	A9	A10	A11	A12
	GND	TX1+	TX1-	VBus	CC1	D+	D-	SBU1	VBus	RX2-	RX2+	GND
PIN No.	B12	B11	B10	B9	B8	B7	B6	B5	B4	B3	B2	B1
	GND	RX1+	RX1-	VBus	SBU2	D-	D+	CC2	VBus	TX2-	TX2+	GND

PART NO.: SEE THE PART NUMBER CODE		CMTDDZ 东莞市田都科技有限公司 Dongguan TianDu Technology Co., Ltd.			DRAWN BY: ERIC			
QUALITY SYMBOL 0 0 0 0	GENERAL TOLERANCES	TITLE			CHECKED BY: Coco			
	x.xxxx	±	---	USB TYPE C FEMALE 24PIN 双排沉板 1.6	APPROVED BY: JEFF			
	x.xxx	±	0.10		DWG.NO. T11-24CB16			
	x.xx	±	0.25		frame size: A4			
x.x	±	0.30						
ANGULAR	±	---	THIRD ANGLE PROJECTION			UNIT mm SCALE 1:1 SHEET NO. 2 OF 3		

REV	ECN No.	DATE	REMARK
A	NEW	2021.01.02	NEW RELEASE
B	T11-24CB16	2023.07.22	依实物1000PCS=>900PCS



SEE DETAIL X



	REEL	CARTON
CONNECTOR (PCS)	900	9000

PART NO.: SEE THE PART NUMBER CODE	
QUALITY SYMBOL	GENERAL TOLERANCES
0	x.xxxx ± --
0	x.xxx ± 0.10
0	x.xx ± 0.25
0	x.x ± 0.30
0	ANGULAR ± --

CMTDDZ 东莞市田都科技有限公司
Dongguan TianDu Technology Co. Ltd.

TITLE
USB TYPE C FEMALE 24PIN 双排沉板 1.6

THIRD ANGLE PROJECTION	UNIT mm	SCALE 1:1	SHEET NO. 3 OF 3
------------------------	---------	-----------	------------------

DRAWN BY: ERIC
CHECKED BY: Coco
APPROVED BY: JEFF
DWG.NO. T11-24CB16