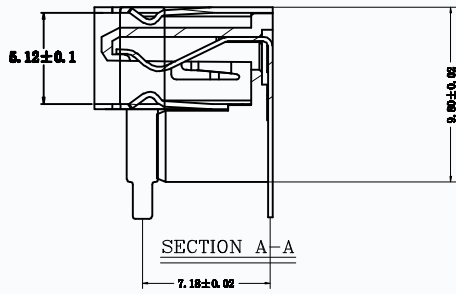
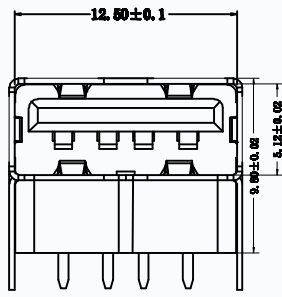


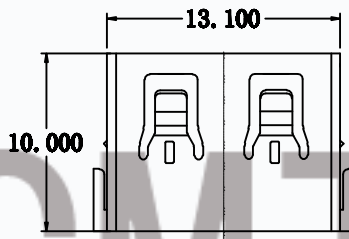
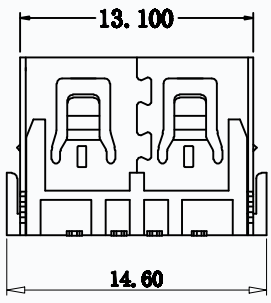
A

A A



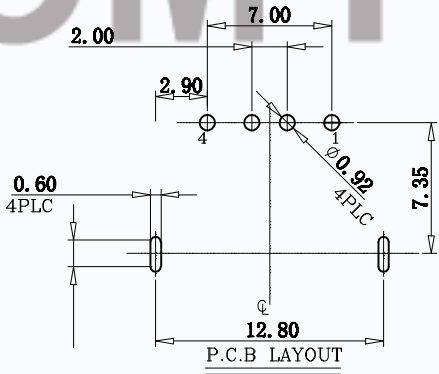
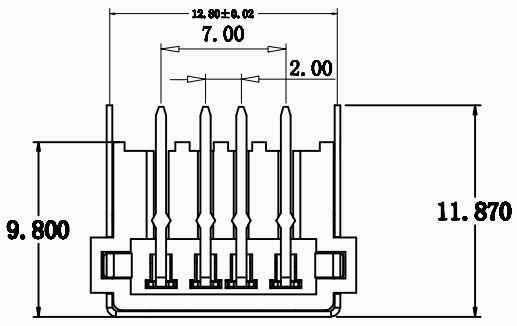
B

B B



C

C C



D

D D

**规格说明:Specifications:**

**电气特性:Electrical:**

1. 额定电流: Current Rating  
1.5A/contact terminal
2. 额定电压: Voltage Rating  
30V DC
3. 接触阻抗: Contact Resistance  
30 milliohms MAX
4. 耐电压: Dielectric Withstanding Voltage:  
500 V AC AT Sea Level
5. 绝缘阻抗: Insulation Resistance:  
1000MEGA ohms MIN

**物理性能:Mechanical:**

1. 插拔力: Connector Mate and Unmate Force  
Mate force: 3.57kgf (MAX)  
Unmate force: 1.02kgf (MIN)
2. 端子保持力: Terminal Retention  
1.2kgf (MIN)

**原材料:Material:**

1. 塑胶: Housing:  
Hing Temperature Ternraplastics,  
Ul 94V-0 PBT White/Black
2. 端子: Contact: Copper Alloy C2680
3. 外壳: Shell: Copper Alloy C2680/SPCC

**电镀:Finish:**

1. 端子: Contact: Plated Gold in Mating Area;  
Tin On Solder Talls
2. 外壳: Shell:  
Nickel Plating

E

E E

<b>CMTDDZ 东莞市田都科技有限公司</b> Dongguan TianDu Technology Co. Ltd.		图号 (DWG NO)		单位 (UNIT): MM
		版本 (REV)	A/0	比例 (SCALE) 1:1
		日期 (DATE)		
品名 (ITEM NO)	A/F 短体10.0 DIP铜壳(前两脚有平口H=9.8)	设计 (DESIGN)		<b>未注公差</b> TOLERANCE UNSPECIFIED
料号 (PART NO)	T10-2F980D-2A-02	审核 (CHECKED)		LX ±0.30
模号 (MODEL NO)		核准 (APPROVED)		LXX ±0.20
				LXXX ±0.10
				R ±5°
				LX* ±2°