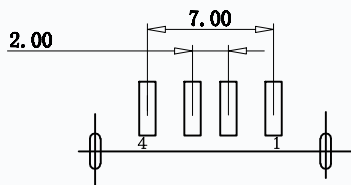
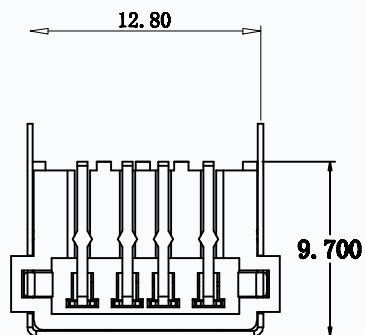
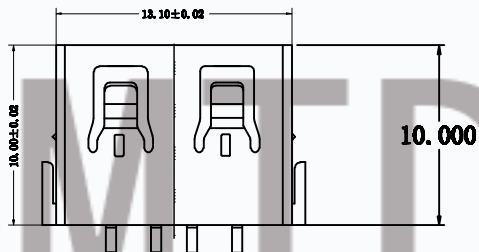
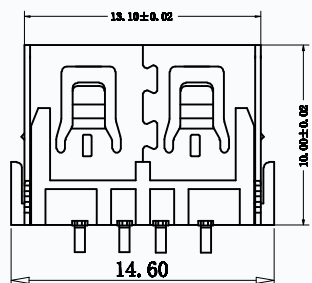


SECTION A-A



P.C.B LAYOUT

规格说明: Specifications:

电气特性: Electrical:

1. 额定电流: Current Rating
1.5A/contact terminal
2. 额定电压: Voltage Rating
30V DC
3. 接触阻抗: Contact Resistance
30 milliohms MAX
4. 耐电压: Dielectric Withstanding Voltage:
500 V AC AT Sea Level
5. 绝缘阻抗: Insulation Resistance:
1000MEGA ohms MIN

物理性能: Mechanical:

1. 插拔力: Connector Mate and Unmate Force
Mate force: 3.57kgf (MAX)
Unmate force: 1.02kgf (MIN)
2. 端子保持力: Terminal Retention
1.2kgf (MIN)

原材料: Material:

1. 塑胶: Housing:
Hing Temperature Thermoplastics,
UL 94V-0 PBT White/Black
2. 端子: Contact: Copper Alloy C2680
3. 外壳: Shell: Copper Alloy C2680/SPCC

电镀: Finish:

1. 端子: Contact: Plated Gold in Mating Area;
Tin On Solder Tails
2. 外壳: Shell:
Nickel Plating

CMTDDZ 东莞市田都科技有限公司
Dongguan TianDu Technology Co. Ltd.

品名 (ITEM NO) A/F 短体10.0 DIP铜壳(后两脚平贴板口H=9.8)

料号 (PART NO) T10-2F980S-2A-01

模号 (MODEL NO)

图号 (DWG NO)		单位 (UNIT): MM
版本 (REV)	A/0	比例 (SCALE) 1:1
日期 (DATE)		
设计 (DESIGN)		未注公差 TOLERANCE UNSPECIFIED
审核 (CHECKED)		LX ±0.30
核准 (APPROVED)		LX ±0.20
		LXXX ±0.10
		F ±5°
		LX' ±2°