

使用温度范围 (Ambient temperature Range): -25°~+85°

适用线规 (Applicable Wires): AWG 28#~22#

适用基板厚度 (Applicable PCboard thickness): 1.6mm

额定电压 (Voltage rating): 250V AC, DC

额定电流 (Current rating): 3A

接触电阻 (Contact Resistance): <0.02Ω

绝缘电阻 (Insulation Resistance): >1000MΩ

耐压 (Withstand Voltage): 1000V/min

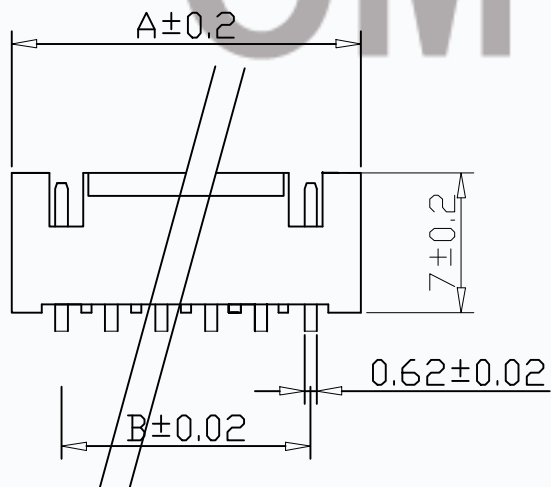
材料 (Material)

1. 基座: PA66 FV2

2. 插针: 黄铜



CMTDDZ



孔位	A	B
2	7.5	2.5
3	10	5.0
4	12.5	7.5
5	15.0	10.0
6	17.5	12.5
7	20.0	15.0
8	22.5	17.5
9	25.0	20.0
10	27.5	22.5
11	30.0	25.0
12	32.5	27.5
13	35.0	30.0
14	37.5	32.5
15	40.0	35.0



一般公差 (TOLERANCE)  
 X ±.50 .XX ±.10  
 .X ±.20 .XXX ±.05  
 ANGLES ±1°

**CMTDDZ 东莞市田都科技有限公司**  
 Dongguan TianDu Technology Co., Ltd.

品名 (TITLE)	XH2. 54-卧式弯脚	制图 (DR)	ERIC
料号 (DWG.NO)	T19-250MWB 系列	校对 (CHKD)	ERIC
比例 (SCALE)	1:1	审核 (APPD)	JEFF
单位 (UNITS)	mm	张数 (SHEET)	1 OF 1
		SIZE	A4
		REV	A