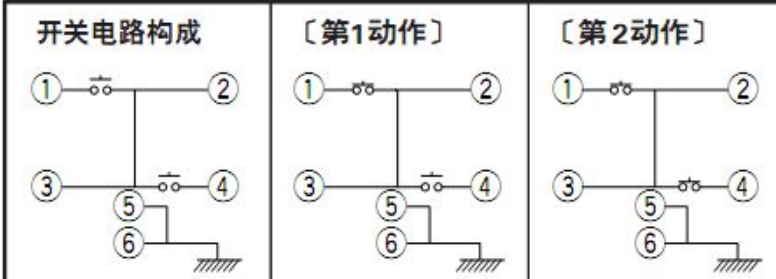
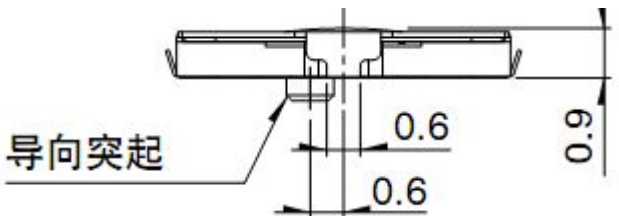
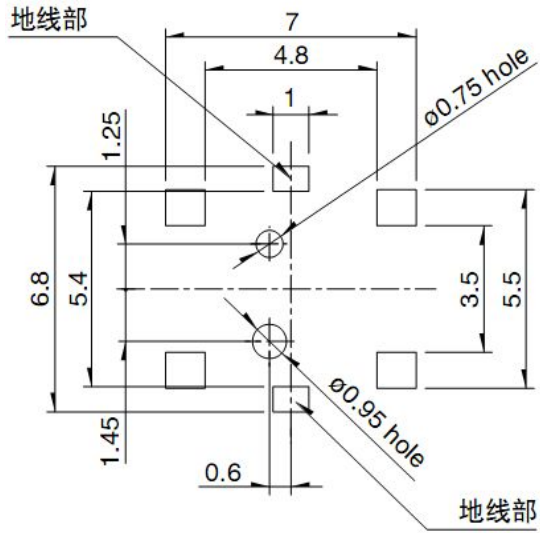
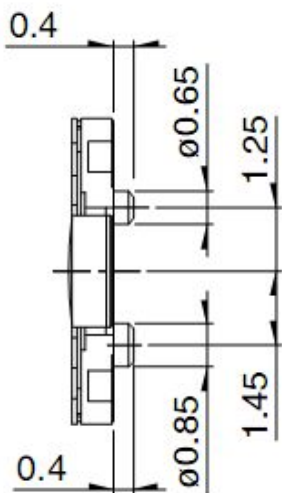
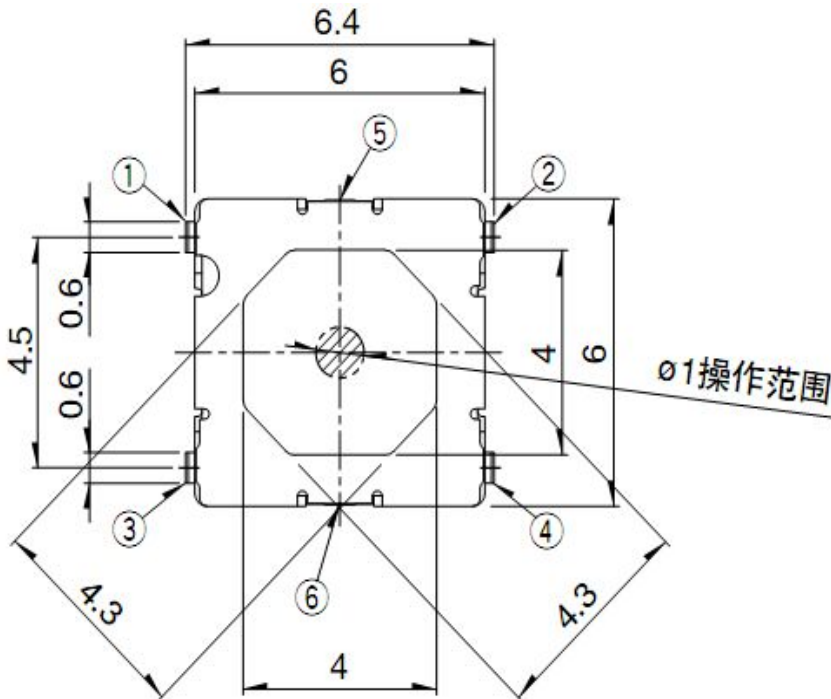


REV	LTR	DESCRIPTION	DATE	APPROVED
A0			20160406	



ITEM	T6-6060SW-09-0.9H
Title	TACT SWITCH
Module no	
Operating temperature range	-30°C to +85°C
Rating	50Ma 12V DC
Insulation Resistanc(Mohms)	100MΩ min at 500V DC

CMTDDZ 东莞市田都科技有限公司
Dongguan TianDu Technology Co. Ltd.

Dielectric Strength(V)	250V AC for 1 min
ContactResistance(mohms)	100mΩ max
life time	10,000 Cycles