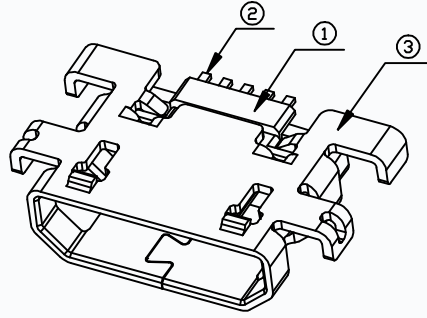
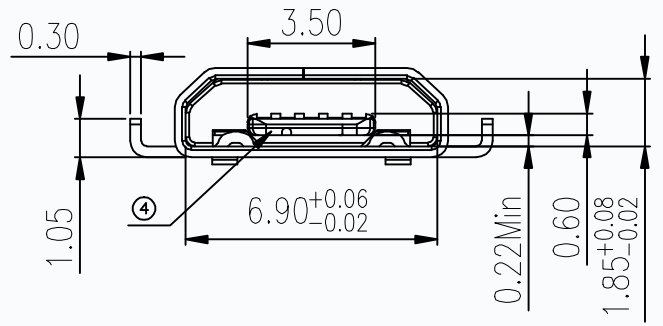


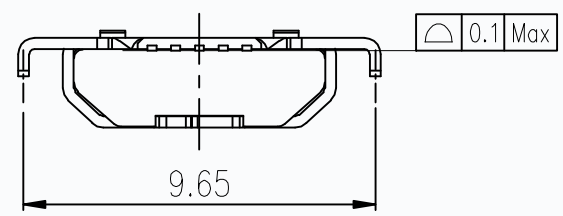
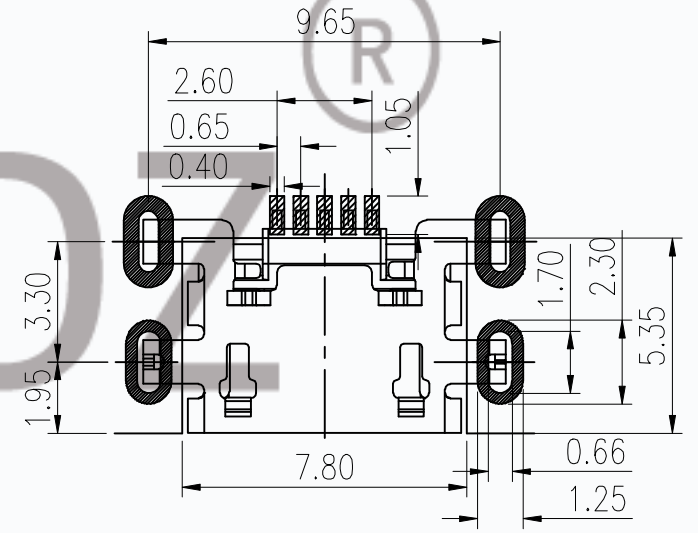
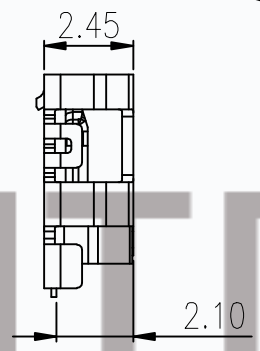
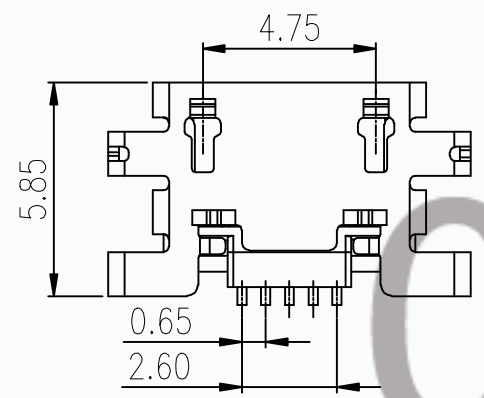
REV.	ECN NO.	DESCRIPTION	DRAW	APPD.	DATE
A	---	DRAWING RELEASE	ERIC	JEFF	2016.09.28



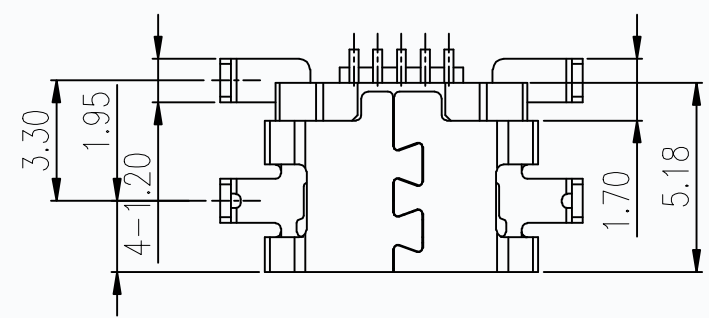
NOTES:

SPECIFICATION:

- 1.1 CURRENT RATING: 1.0A MAX
- 1.2 VOLTAGE: 100 VAC
- 1.3 TEMPERATURE RANGE: -30 °C ~ 85 °C
- 1.4 CONTACT RESISTANCE: 30 MILLIONHM MAX
- 1.5 DIELECTRIC WITHSTANDING VOLTAGE: 200 VAC r.m.s
- 1.6 INSULATION RESISTANCE: 100 MEGOHMS MIN.



RECOMMENDED PCB LAYOUT(TOP VIEW)
GENERAL TOLERANCES:±0.05



4	PLATE	SUS304 1/2H T=0.10mm	-----	1PCS
3	SHELL	STAINLESS STEEL T=0.30mm	MATTE AU/Ni Plated	1PCS
2	CONTACT	COPPER ALLOY T=0.15mm	Au/Ni Plated	1SET
1	HOUSING	High temperature plastic	BLACK	1PCS
NO.	DESCRIPTION	MATERIAL	REMARKS	QTY
TOLERANCE		NAME(INTENDED USE) CUSTOMER DRAWING		CMTDDZ 东莞市田都科技有限公司 Dongguan TianDu Technology Co., Ltd.
X.X ±0.30	X.' ± 2'	PART NO.		
.XX ±0.20	.X' ± 1'	T10-05CB21-00 (不带铜片)		
.XXX ±0.10	.XX' ±0.5'	T10-05CB21-01 (带铜片)		
UNITS	mm	APPD: JEFF		DRAWG NO. T10-05CB21-XX
MATERILA		CHED: ERIC		
FINISH		DRAW: ERIC		
			SCALE	SHEET
			1:1	1/1
			REV.	A