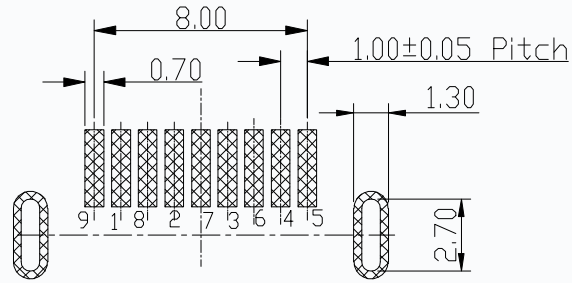
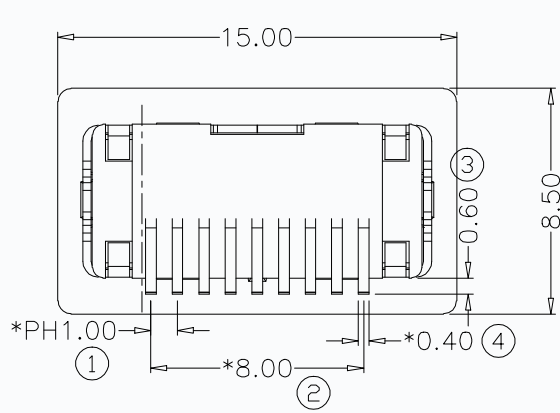


REV.	ECN NO.	DR	DATE
A0	NEW	ERIC	15-Dec-18



P. C. B LAYOUT T=1.20mm

注：1、电性参数

接触电阻：最初30mΩ Max,

绝缘阻抗：100MΩ Min

耐压：100V AC

2、机械参数

插入力：35N(3.57kgf) Max

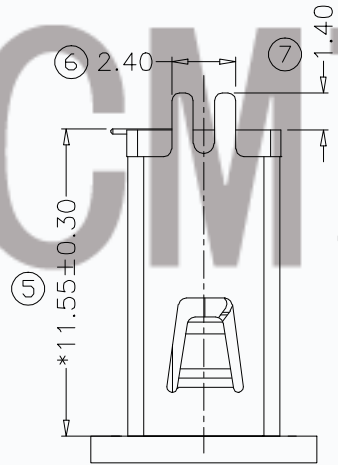
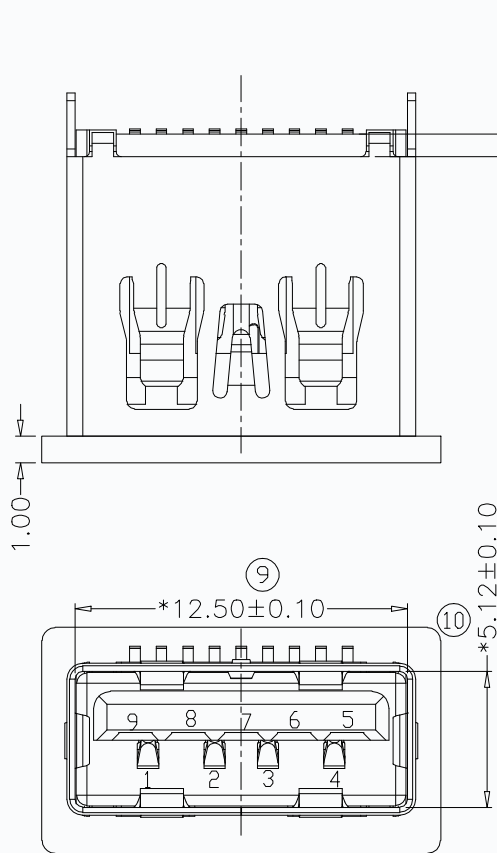
拔出力：8N(0.82kgf) Min

耐久性：1500 Cycles 500 cycles per hour

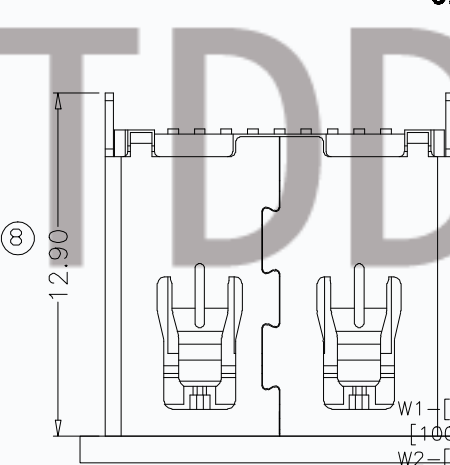
3. 标有" * "的为重点检测尺寸

4. 标有" (XX) "序号的为FAI检测尺寸

5. 符合本公司环境物质管理标准



后塞



T10-3F115S- X 01 XX X-L XX

HOUSING COLOR:
B-BLACK
L-BLUE

PLATING:
W1-[1μ"]GOLD CONTACT AREA
[100μ"]MATTE TIN SOLDER AREA
W2-[3μ"]GOLD CONTACT AREA
[100μ"]MATTE TIN SOLDER AREA

REMARK:
C1-铜壳无边,无后塞
S1-铁壳无边,无后塞
C2-铜壳无边,带后塞
S2-铁壳无边,带后塞

Housing Material:
L-LCP

PACKING:
T-TRAY
R-REEL

TOLERANCE UNLESS OTHERWISE SPECIFIED		THIRD ANGLE PROJECTION		CMTDDZ 东莞市田都科技有限公司 Dongguan TianDu Technology Co. Ltd.			
DRAWING BY & DATE ERIC 15-Dec-18		CHECKED BY & DATE		DWG NO.: T10-3F115S-01		PART NO.:	
APPROVED BY & DATE		TITLE: USB 3.0, A TYPE 母座 180度SMT 高11.55mm 外壳无边					
.0 ± 0.25	0. ± 2°	SIZE A4	UNIT MM	SCALE 1 : 1	SHEET 1 OF 1	REV. 1	
.00 ± 0.15	.0 ± 1°						
.000 ± 0.10	.00 ± .5°	PRODUCT FAMILY: USB 3.0 FEMALE					