

NO.	PART NO.	NAME	MATERIAL	CLCLR	QTY
1		USB A/F 短体10.0两个鱼叉脚1.90(直边)	Copper Alloy/SPCC		1PCS
2		USB A/F 短体10.6胶芯	PBT		1PCS
3		USB A/F 90° DIP短端子(2.3无短路)	Copper Alloy		4PCS

规格说明:Specifications:

电气特性:Electrical:

- 1.额定电流: Current Rating  
2.4A/contact terminal
- 2.额定电压: Voltage Rating  
30V DC
- 3.接触阻抗: Contact Resistance  
30 milliohms MAX
- 4.耐电压: Dielectric Withstanding Voitage:  
500 V AC AT Sea Level
- 5.绝缘阻抗: Lnsulation Resistance:  
1000MEGA ohms MIN

物理性能:Mechanical:

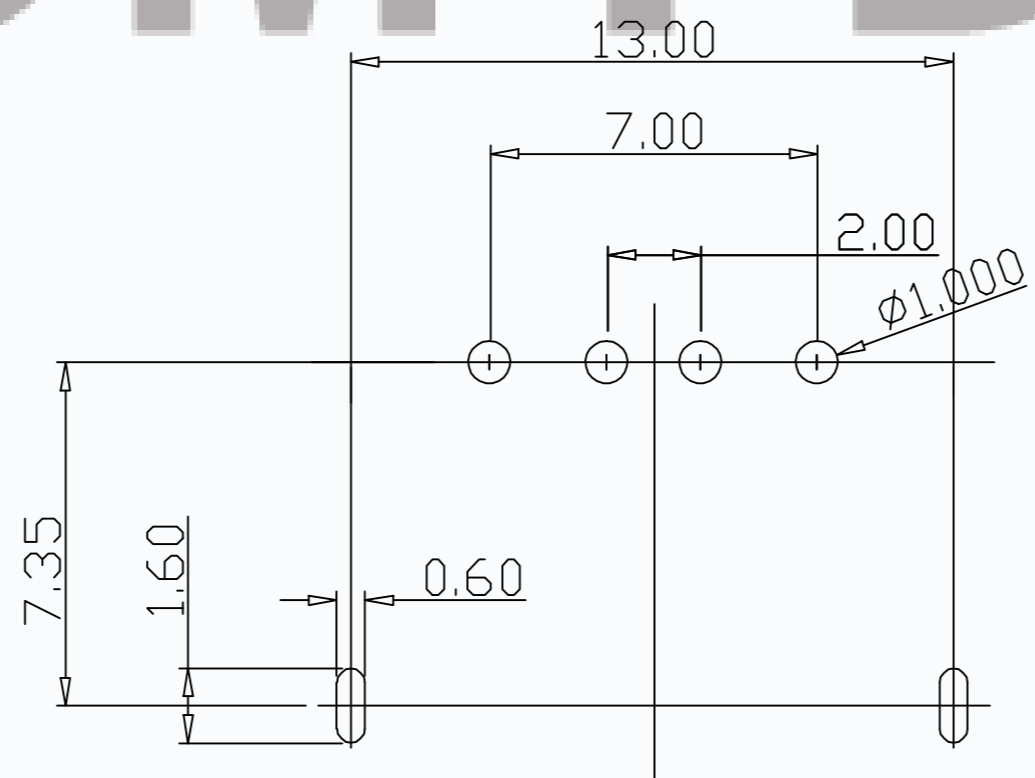
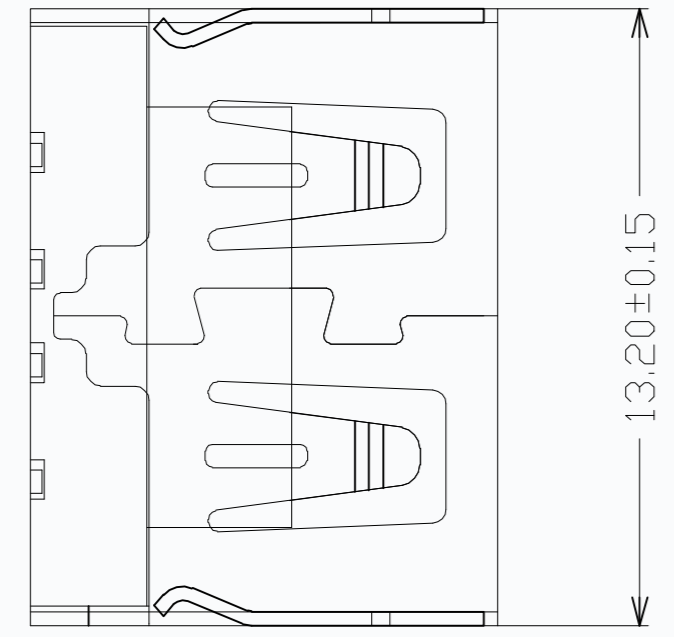
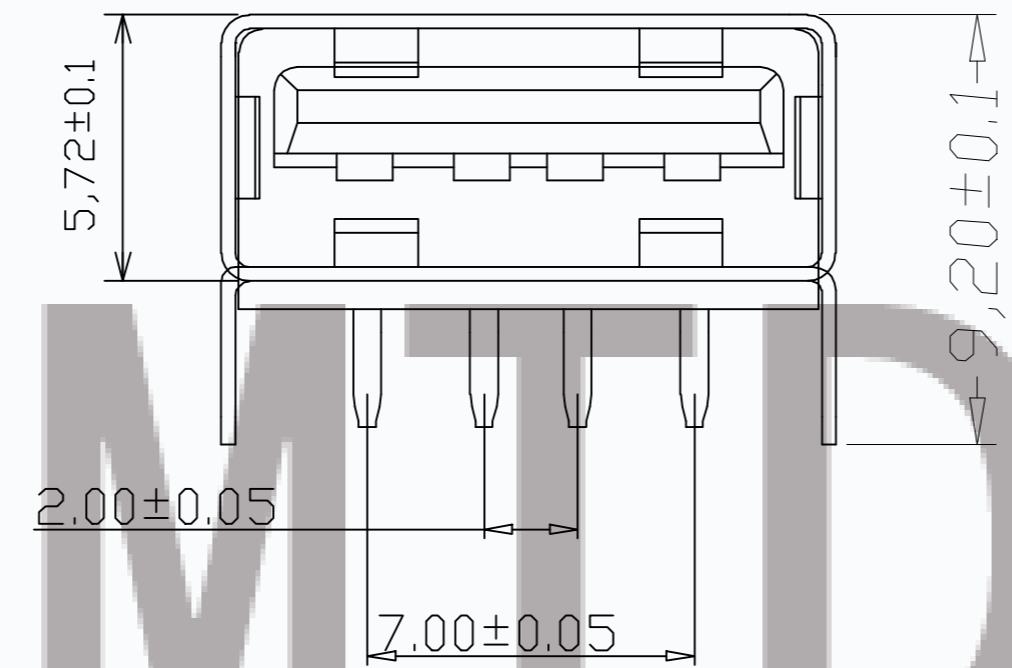
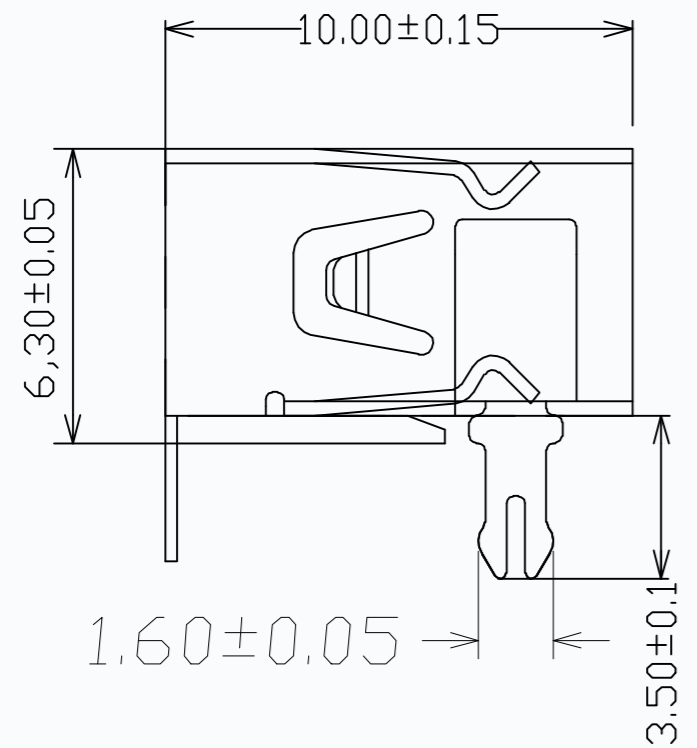
- 1.插拔力: Cnnector Mate and Unmate Force  
Mate force:3.57kgf(MAX)  
Unmate force:1.02kgf(MIN)
- 2.端子保持力: Terminal Retenion  
1.0kgf(MIN)

原材料:Matorial:

- 1.塑胶:Housing:  
Hing Temperature Tnermaplastics,
- 2.端子>Contact:Copper Alloy C2680
- 3.外壳:Shell:iron Alloy GB7738/SPCC

电镀:Finish:

- 1.端子>Contact: Plated Gold in Mating Area;  
Tin On Solder Talls  
端子四周镀50U”(MIN)锡,镀金区域镀100-200U”镀金1U”
- 2.外壳:Shell:  
铜壳四周镀80U”(MIN)锡  
Nickel Plating



RECOMMENDED P. C. B LAYOUT

	TOLERANCE				
	X.	X. X	X. XX	X. XXX	X. °
A	± 0.20	± 0.10	± 0.05	± 0.03	± 1°
B	± 0.50	± 0.20	± 0.10	± 0.05	± 2°
✓ C	± 0.80	± 0.40	± 0.20	± 0.10	± 3°

<b>CMTDDZ 东莞市田都科技有限公司</b> Dongguan TianDu Technology Co. Ltd.			DRAWING BY	Brand/Model:
			CHECK BY ERIC	USB A/F 90° DIP短体10.0 前两长脚6.3(直边)无侧耳
MATERIAL: SUPERFICIES: COLOR:			UNIT: M/M	THIRD ANGLE
			SCALE: 1:1	
APPROVED			REV: A	DRAWING NO. T10-2F632D-01
			DATE:	USER'S OR TOOLING NO.

A

B

C

D

E