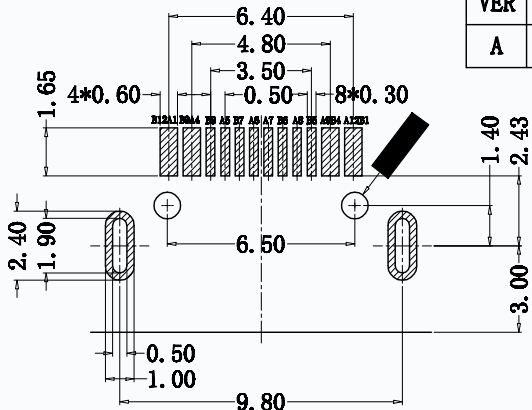
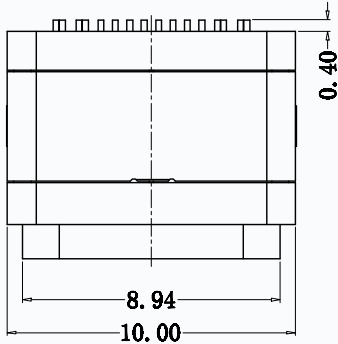
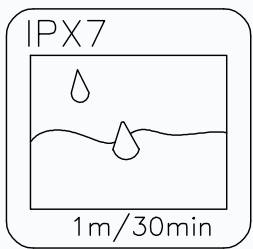
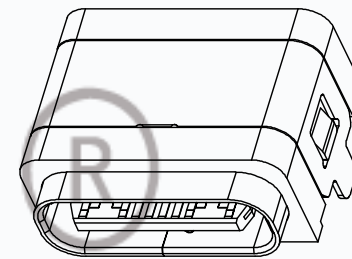


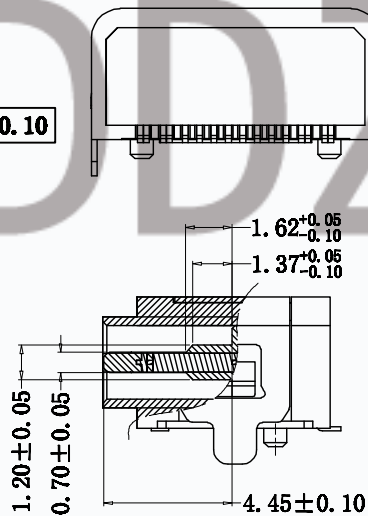
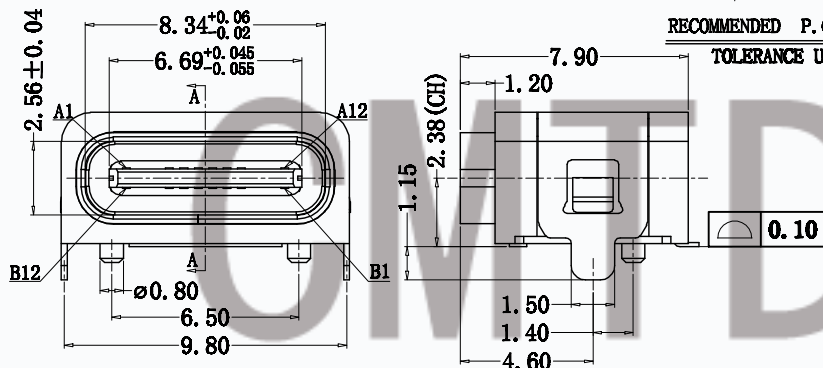
RoHs



VER	MARK	PR. BY	ECR/ECN	DESCRIPTION	DATE
A		ERIC		NEW RELEASE	09/13' 22



RECOMMENDED P.C.B. LAYOUT (T:1.0~1.2mm)
TOLERANCE UNSPECIFIED ±0.05mm



SPECIFICATION:

- Material:
 - HOUSING&MOLDING: HIGH TEMPERATURE RESISTANT PLASTIC, UL94 V-0
 - CONTACTS: COPPER ALLOY T=0.15mm
 - IDDL CLIP: SUS301-1/2H, T=0.15mm
 - SHELL-1: SUS304, T=0.30mm
 - SHELL-2: SUS304, T=0.20mm
- Mechanical:
 - 2.1. Mating force: 0.5~2.0kgf.
 - 2.2. UNMATING FORCE: 0.8~2.0kgf. 0.6~2.0kgf AFTER DURABILITY TEST;
 - 2.3. Durability: 10000 Cycles;
- Electrical:
 - 3.1. Current Rating: 3A Max.;
 - 3.2. Voltage Rating: 20V Max.;
 - 3.3. Dielectric Withstanding voltage: 100VAc;
 - 3.4. Contact resistance: 40m Ohms Max.;
 - 3.5. Insulation Resistance: 100M Ohms Min.;
- Environmental:
 - 4.1. Operating temperature: -40°C~+85°C;
 - 4.2. Wetting Temperature: 265±5°C, 5±0.5s
 - 4.3. Only one use through IR

PIN DEFINE TABLE

PIN	SIGNAL	PIN	SIGNAL
A12	GND	B1	GND
A11		B2	
A10		B3	
A9	VBUS	B4	VBUS
A8	SBU1	B5	CC2
A7	D-	B6	D+
A6	D+	B7	D-
A5	CC1	B8	SBU2
A4	VBUS	B9	VBUS
A3		B10	
A2		B11	
A1	GND	B12	GND

NO.	P/N	FINISH	COLOR
1	T11-16FS05	镀金1u"	LCP Black
2	T11-16FS05	镀金3u"	LCP Black

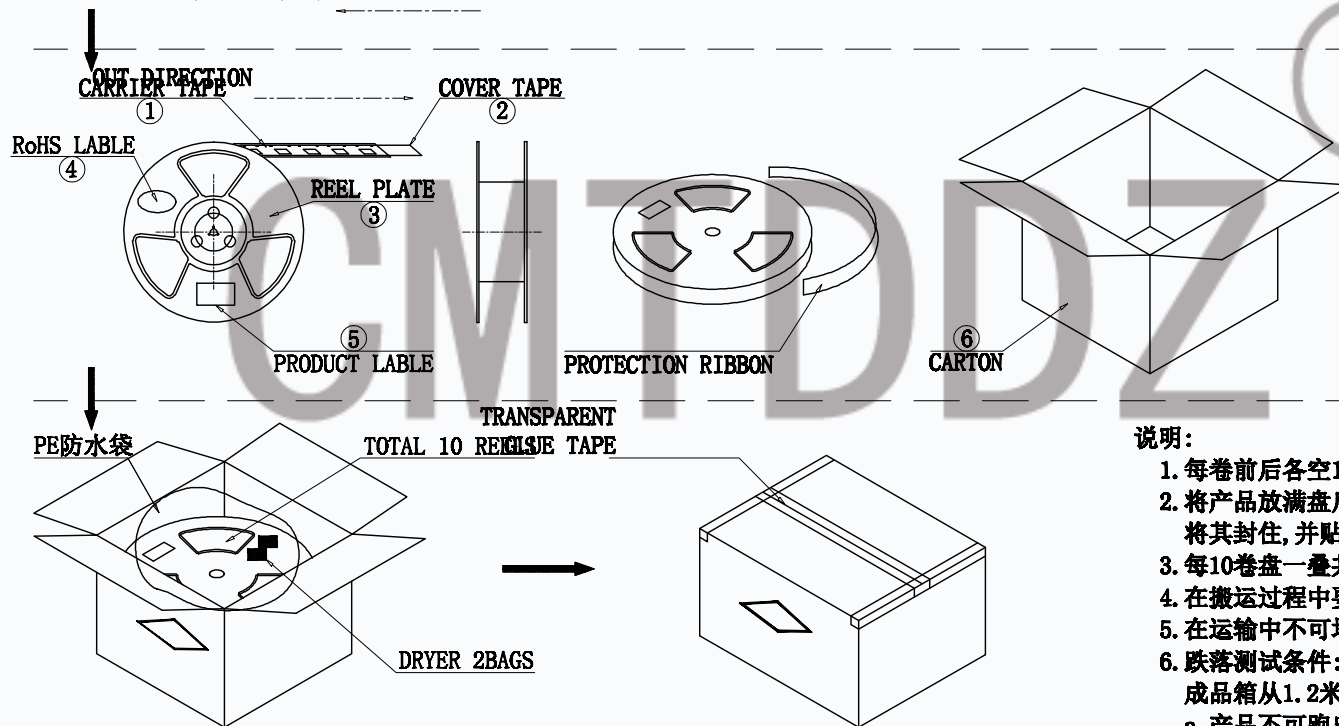
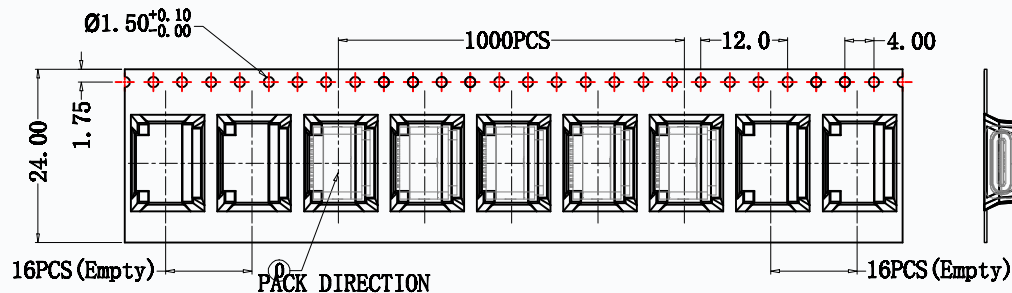
CUSTOMER		GENERAL TOLERANCES UNLESS SPECIFIED		TITLE: TYPE-C 16pin 防水母座板上型带塑胶柱	
SIZE	UNITS	X±0.50	X'±5.0'	PART NO.:	See the List
A4	MM[INCH]	.X±0.35	.X'±3.0'	DESIGN BY:	
SCALE	REV.	.XX±0.25	.XX'±2.5'	ERIC	
1:1	A	.XXX±0.15	.XXX'±2.0'		

CMTDDZ 东莞市田都科技有限公司
Dongguan TianDu Technology Co. Ltd.

DWG NO.:	SHEET	
T11-16FS05-7.9L-1.2	1/2	

RoHs

VER	MARK	PR. BY	ECR/ECN	DESCRIPTION	DATE
A		ERIC		NEW RELEASE	12/28' 22



说明:

- 每卷前后各空16PCS, 尾部用美纹胶纸封住;
- 将产品放满盘后, 再卷一圈保护带, 用美纹胶纸将其封住, 并贴上1Pcs物料标签;
- 每10卷盘一叠共10000Pcs并装入1个外箱内;
- 在搬运过程中要轻拿轻放;
- 在运输中不可堆放过多(1.8M最高), 不可重压;
- 跌落测试条件:
成品箱从1.2米高度自由落体(一角三棱六面):
a. 产品不可跑出下带凹槽;
b. 产品不可有摔伤, 变形;
c. 内包装材料不可严重破损.

NO.	NAME	SPEC	Q' TY
①	TYPE C RECEPTACLE		10000PCS/CARTON
①	CARRIER TAPE	W=24mm, T=0.35mm	1000PCS/PLATE
②	COVER TAPE	W=21.5mm	10PLATES/CARTON
③	REEL PLATE	ø330*100*24.4mm	10PCS/CARTON
④	RoHS LABEL		10PCS/CARTON
⑤	PRODUCT LABER		10PCS/CARTON
⑥	CARTON	350*340*310mm	1PCS/PACKAGE

PACKAGING		GENERAL TOLERANCES UNLESS SPECIFIED		TITLE: TYPE-C 16pin防水母座 板上型-包装图
SIZE	UNITS	X±1.0	X'±5.0'	PART NO.:
A4	MM[INCH]	.X±0.50	.X'±3.5'	See the List
SCALE	REV.	.XX±0.30	.XX'±2.5'	DESIGN BY:
1:1	A	.XXX±0.15	.XXX'±1.5'	ERIC

CMTDDZ 东莞市田都科技有限公司
Dongguan TianDu Technology Co. Ltd.

DWG NO.:	SHEET	
T11-16FS05-7.9L-1.2	2/2	