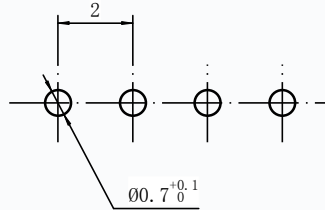
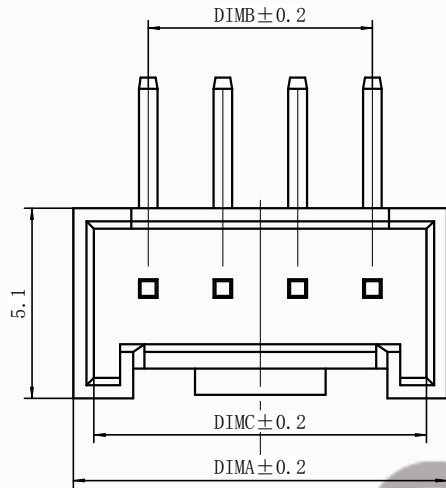
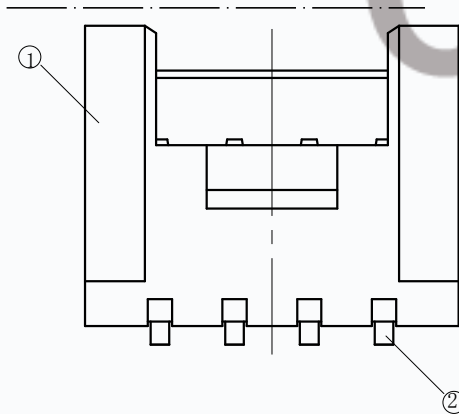
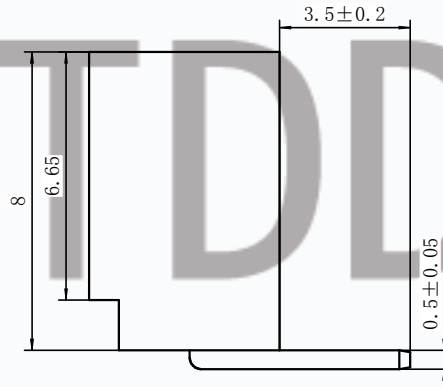


REV.	EC#	DESCRIPTION	DATE	DRAWN	CHECK	APPROVED
		初版发行	2020-05-28			



适应基板厚度: 1.2mm~1.6mm
 温度范围: -25℃~85℃
 额定电压: 250V AC/DC
 额定电流: 1A
 绝缘电阻: ≥1000MΩ
 耐压: 800V AC/minute

NUMBER OF PINS	DIM A	DIM B	DIM C
15P	32.0	28.0	30.9
14P	30.0	26.0	28.9
13P	28.0	24.0	26.9
12P	26.0	22.0	24.9
11P	24.0	20.0	22.9
10P	22.0	18.0	20.9
9P	20.0	16.0	18.9
8P	18.0	14.0	16.9
7P	16.0	12.0	14.9
6P	14.0	10.0	12.9
5P	12.0	8.0	10.9
4P	10.0	6.0	8.9
3P	8.0	4.0	6.9
2P	6.0	2.0	4.9



2	PIN	n PCS	材质:铜合金, 电镀:镀亮锡60u~MIN
1	Housing	1 PCS	材质:PA66 (UL94V-0)
NO.	NAME	Q'TY	DESCRIPTION

CMTDDZ 东莞市田都科技有限公司
 Dongguan TianDu Technology Co. Ltd.

DRAW :	ERIC	2020-05-28	TITLE:	HY2.0AW WAFER DIP	DRAW NAME:	T19-200FLBW 系列
DESIGN:		2020-05-28	SERIES:		DRAW NO.:	
CHECK:		2020-05-28	P/N:		UNIT:	SHEET:
APPROVED		2020-05-28	REV. 1.00	SCALE N/A	mm	1/1
CUSTOMER DRAWING						

技术要求:

- 1) 材质:见附表;
- 2) 电镀:见附表;
- 3) 塑件表面平整、光洁、无毛刺、气泡、烧焦、变形、浇口无拉伤、多料或缺料等不良现象;
- 4) 端子表面无氧化、电镀不良等现象。

GENERAL TOLERANCES			
DIM	TOL	DIM	DEG
X.		X°.	±3.00°
X.X	±0.35	X.X°	±2.00°
X.XX	±0.25	X.XX°	±1.00°
X.XXX	±0.15	X.XXX°	

