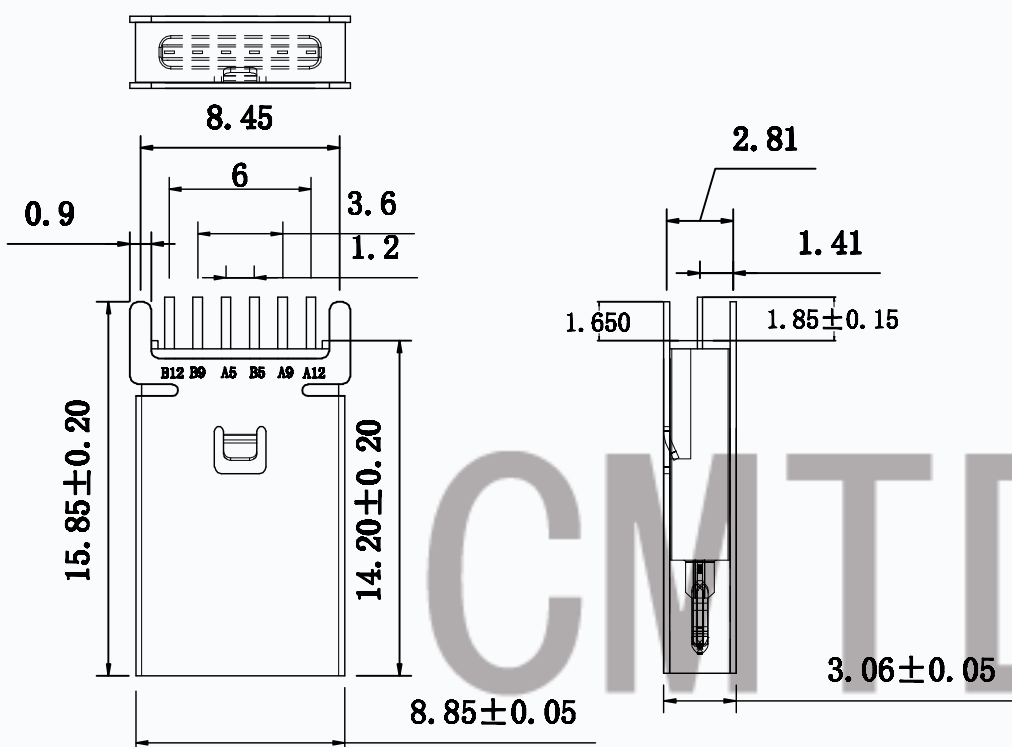


| | | | | | | | |
|------------|----------------------|------------|-------------|---------------|---|---|---|
| 1 | 2 | 3 | 4 | 5 | 6 | 7 | 8 |
| 项目 Mapx | 设计内容 Modification | 日期 Date | 修改人 Draw | 核准 Approve | | | |



规格说明: Specifications:

电气特性: Electrical:

1. 额定电流: Current Rating
3.0A/contact terminal
2. 额定电压: Voltage Rating
30V DC
3. 接触电阻: Contact Resistance
30 milliohms MAX
4. 耐电压: Dielectnic Withstanding Voitage:
100 V AC AT Sea Level
5. 绝缘电阻: Lnsulation Resistance:
1000MEGA ohms MIN

物理性能: Mechanical:

1. 插拔力: Cnnector Mate and Unmate Force
Mate force: 3.57kgf(MAX)
Unmate force: 1.02kgf(MIN)

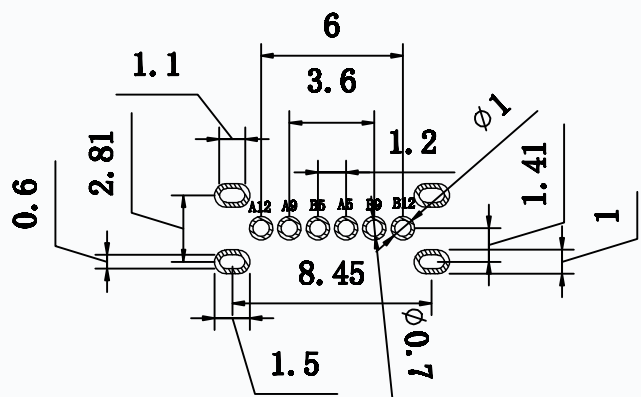
原材料: Matorial:

1. 塑胶: Housing: LCP+30%GF
2. 端子: Contact: Copper Alloy C2680-EH
3. 外壳: Shell: Copper Alloy C201 不锈钢

电镀: Finish:

1. 端子: Contact: Plated Gold in Mating Area;
Tin On Solder Talls
端子四周镀30-50U"(MIN)锡, 镀金区域镀金1U"
2. 外壳: Shell:
不锈钢壳四周镀80U"(MIN)镍底,
Nickel Plating

| | | | |
|-----|-------------|-----|-------------|
| A12 | GND | B12 | GND |
| A9 | VBUS | B9 | VBUS |
| A5 | CC1 | B5 | CC2 |
| PIN | SIGNAL NAME | PIN | SIGNAL NAME |



RECOMMENDED P.C.B. LAYOUT
TOLERANCE UNSPECIFIED ±0.05mm

| | | | | | | | | | |
|-------------------------------------|--------|---|-------------|-----|---------------|---------|------------------|----------------|-----|
| 成品图 MANUFACTURE DWG | | CMTDDZ 东莞市田都科技有限公司 Dongguan TianDu Technology Co. Ltd. | | | | | | | |
| 公差一览表 TOLERANCE UNLESS OTHERWISE | | 日期 DATE | 单位 UNIT | MM | 制图 DRAWING | DWG NO. | T11-06LC05-14.2H | | |
| .X±0.20 | .X±5' | 审核 CHECKED | 比例 SCALE | 1:1 | 设计 DESIGN | ERIC | 品名 NAME | TYPEC 6p 180mm | |
| XX±0.10 | .X±2' | 核准 APPROVE | 角法 VIEW | ⊕ | | | 版本 VER | 页数 SHEET | 003 |
| .XXX±0.05 | .XX±1' | | | | | | AO | | |