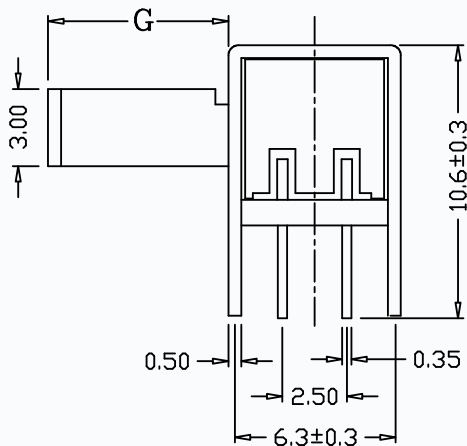
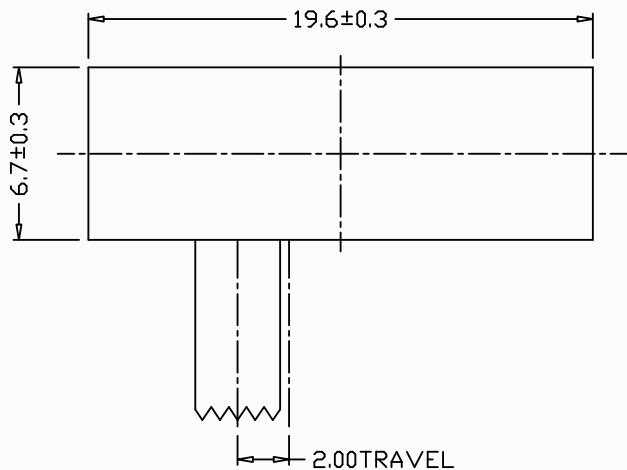
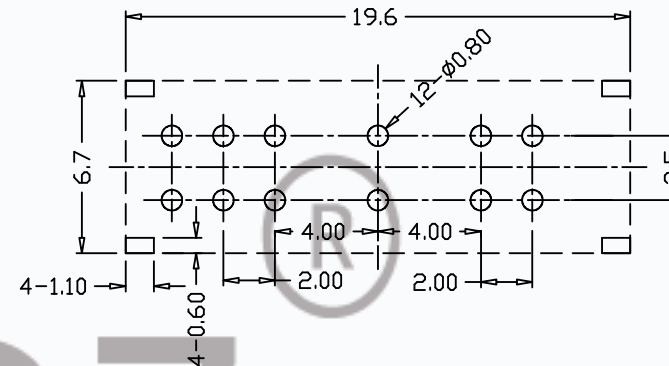


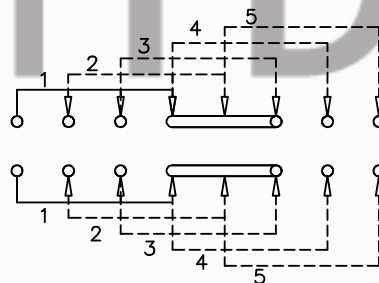
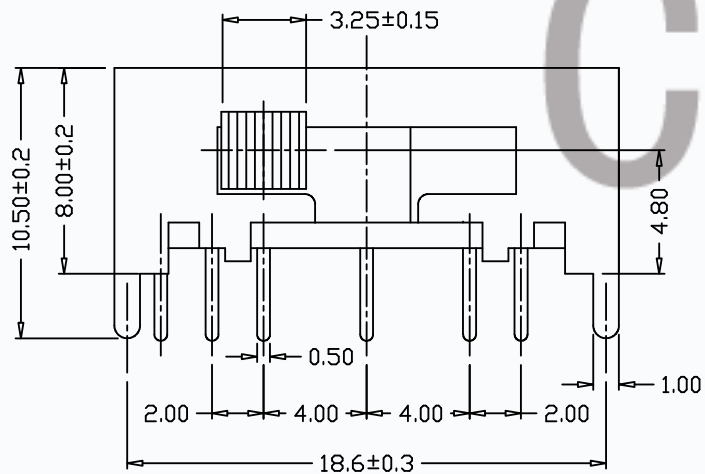
CAD FILE:



MODEL NO.	KNOB(G/VG)
T3-252001-G	(2~15)mm



P.C.B. LAYOUT



SCHEMATIC (SHORTING)

SPECIFICATIONS

Rating	0.5A 50V
CIRCUIT	2P5T
Timing	SHORTING
Travel	2.0mm
Contact Resistance	< 100 mΩ
Operating Force	250gf ± 100gf
Operating Life	10,000 cycles

NO.	PARTS	MATERIALS	Q'TY	FINISH
8				
7	STEEL BALL	STEEL	1	NATURAL
6	SPRING	STEEL WIRE	1	NATURAL
5	CONTACT CLIP	PBS STRIP	2	Ag PLATED
4	TERMINAL	BRASS STRIP	12	Ag PLATED
3	BASE	PHENOLIC RESIN	1	NATURAL
2	KNOB	PA66	1	BLACK
1	FRAME	STEEL STRIP	1	NI PLATED

TOLERANCE  
UNLESS SPECIFIED  
WITHIN 1.5mm : ±0.1mm  
OVER 1.5mm : ±0.2mm

THESE DRAWINGS AND SPECIFICATIONS ARE THE PROPERTY OF DONGGUAN TIANDU ELECTRONICS CO.,LTD. AND SHALL NOT BE REPRODUCED, COPIED OR USED IN ANY MANNER WITHOUT THE PRIOR WRITTEN CONSENT OF DONGGUAN TIANDU ELECTRONICS CO., LTD

DESCRIPTIONS OF REVISION

APPD.

TITLE : HORIZONTAL SLIDE SWITCH

UNIT : mm

DRWG NO.: CMTDDZ-T3-252001-00

MODEL: T3-252001-G

SCALE: 3:1

DWN. ERIC 2013-6-17

**CMTDDZ** 东莞市田都电子有限公司  
DONGGUAN TIANDU ELECTRONICS CO.,LTD.

CHK'D MAIKO 2013-6-17

APPD. Coco 2013-6-17