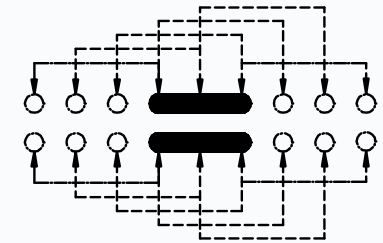
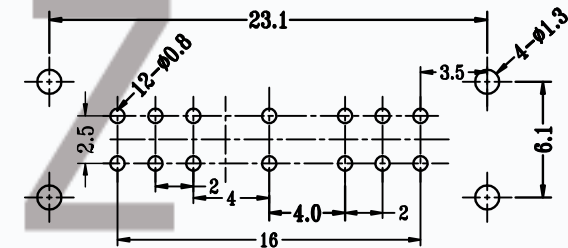
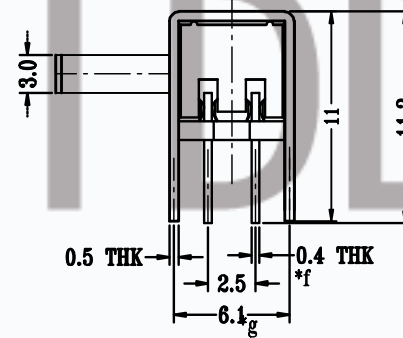
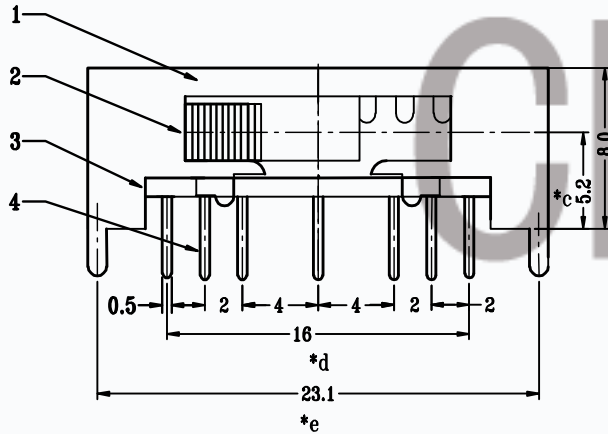


MODEL NO.	KNOB(G/VG)
T3-262002-G	(2~15)mm



SCHMATIC (SHORTING)



P.C.B LAYOUT  
BOTTOM VIEW

NO.	PART	NAME	MATERIAL	QTY	FINISHING	TOLERANCE UNLESS SPECIFIED							
7	STEEL BALL		STEEL	1	NATURAL	UP TO 5mm:±0.1	ANGULAR	1					
6	SPRING		STEEL WIRE	1	NATURAL	ABOVE 5mm:±0.2	±1°	NO	DATE	REVISIONS		BY	APPD
5	CONTACT CLIP		PBS C5210R-EH	2	Ag CLAD	TITLE: SLIDE SWITCH		UNIT : MM	ROHS	DWN			
4	TERMINAL		BRASS STRIP	12	Ag PLATED	MODEL: T3-262002-G		SCALE: 1:1	COMPLIANT	CHK'D			
3	BASE		PHENOLIC RESIN	1	NATURAL	CMTDDZ 东莞市田都科技有限公司				APPD			
2	KNOB		PA66	1	BLACK	Dongguan TianDu Technology Co. Ltd.				PRO.AGL:	⊕	REV :A0	
1	FRAME		STEEL STRIP	1	Ni PLATED								