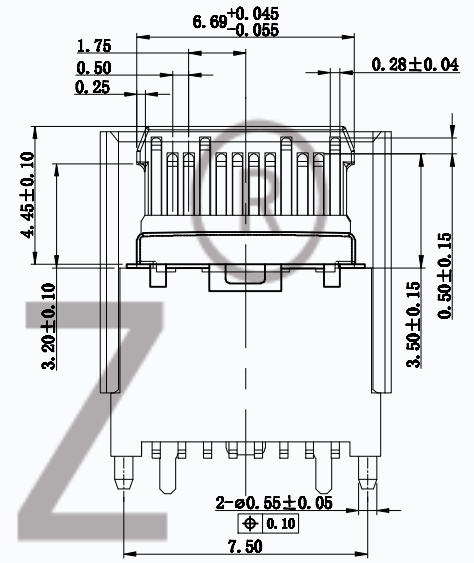
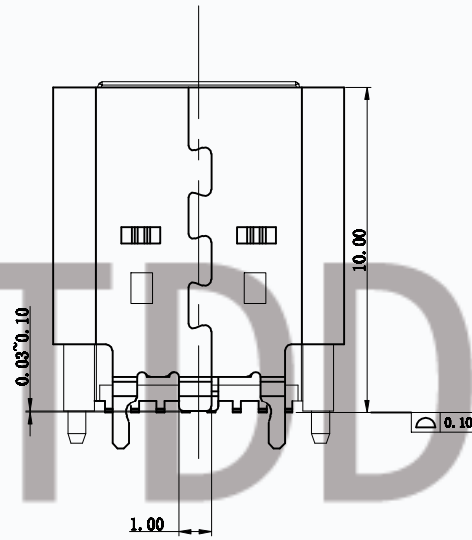
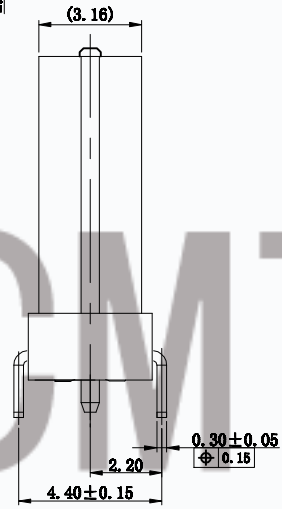
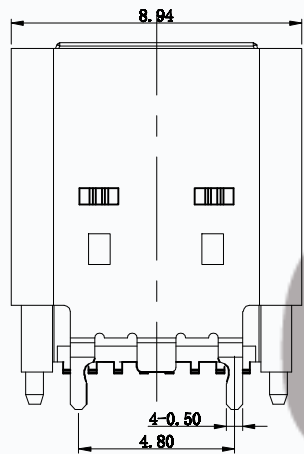
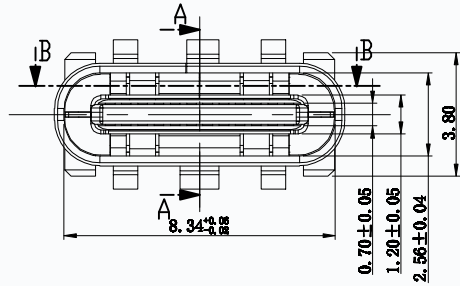
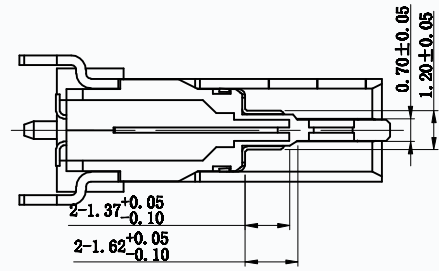
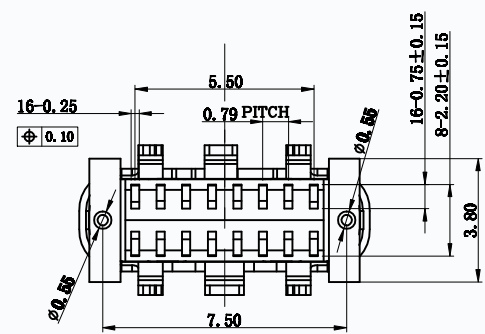


RoHS

REV.	ECN NO.	APPD.
A	NEW DRAW	ERIC
B		



SECTION B-B
SCALE 1:1

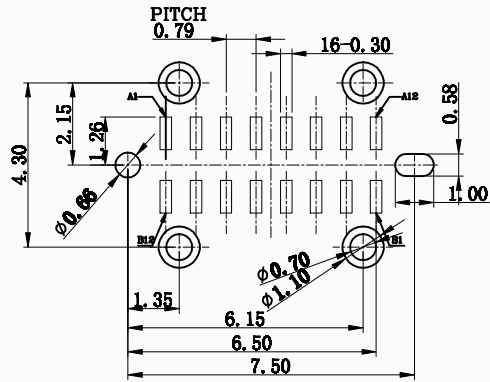


SECTION A-A
SCALE 1:1

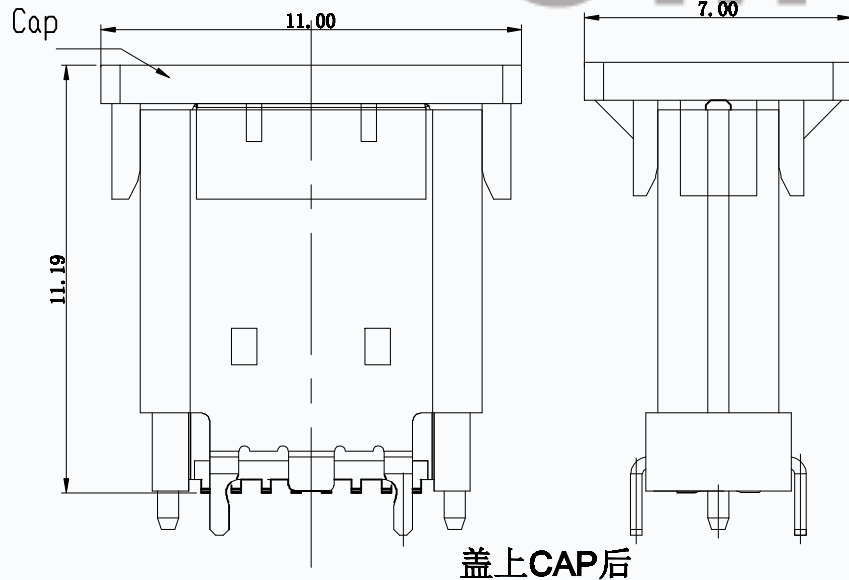
TABLE

料号	规格							
T11-038	TYPE CF 16P 直立式SMT H=10.0 红LCP 10.3 C7025接触区镀金3U ² 金脚							
T11-039	TYPE CF 16P 直立式SMT H=10.0 黑LCP 10.3 C7025接触区镀金3U ² 金脚							
T11-043	TYPE CF 16P 直立式SMT H=10.0 橙LCP 10.3 C7025接触区镀金3U ² 金脚							
TOLERANCE UNLESS OTHERWISE SPECIFIED		CMTDDZ 东莞市田都科技有限公司 Dongguan Tiandu Technology Co. LTD.				C		
.XXX ±0.10	.X ±0.30						.IX ±0.30	.I ±0.30
.XX ±0.10	.X ±0.30						.IX ±0.30	.I ±0.30
.XX ±0.10	.X ±0.30						.IX ±0.30	.I ±0.30
APPROVED		PART NAME:	TYPE CF 16P 直立式 SMT H=10.0 主体10.3 8个点					
CHECKED		DWG No:	T11-16LS04-10.0H-A			C		
DRAWN	ERIC	PROJECTION:	UNIT:	SCALE	SHEET	REV.		
DATE	2020.11.12		mm	1:1	1 OF 2	B		

RoHS



RECOMMENDED P.C.B. LAYOUT (T:1.00mm)
TOLERANCE UNSPECIFIED ±0.05mm
SCALE: 1:1



NOTE:

1. MATERIAL:
 - 1.1 INSULATOR: HIGH TEMPERATURE PLASTIC UL 94 V-0; Color See TABLE
 - 1.2 CONTACT: SEE TABLE(T=0.12mm)
 - 1.3 SHELL:STAINLESS STEEL(T=0.20mm)
 - 1.4 EMI PLATE:STAINLESS STEEL(T=0.10mm)
 - 1.5 MID PLATE:STAINLESS STEEL(T=0.15mm)
2. ELECTRICAL CHARACTERISTICS:
 - 2.1 CONTACT RESISTANCE: 40mΩ Max FOR INITIAL. 10mΩ CHANGE AFTER TEST. MEASURE AT 20mA, 100mA.
 - 2.2 CONTACT CURRENT RATING: 3A FOR COLLECTIVELY POWER SUPPLY
 - PIN(PIN1, A4, A9, A12, B1, B4, B9, B12): 1.25A FOR VCONN PIN; 0.25A FOR OTHER SIGNAL PIN.
 - 2.3 DIELECTRIC WITHSTANDING VOLTAGE: 300V AC R.M.S.
 - 2.4 INSULATION RESISTANCE 100MΩ Min
 - 2.5 OPERATING TEMPERATURE: -30° C ~ 85° C
3. MECHANICAL CHARACTERISTICS:
 - 3.1 MATING FORCE: 5~20 N.
 - 3.2 UNMATED FORCE: 8~20N INITIAL TEST; 6~20N DURABILITY AFTER TEST
 - 3.3 DURABILITY: 10,000 CYCLES
4. PLATING
 - 4.1 TERMINAL CONTACT: (SEE TAB)GOLD PLATING ON CONTACT AREA, ALL OVER 50μ Min NICKEL AND 90μMin Matte Tin ALL OVER 50μ Min NICKEL ON SOLDER AREA
 - 4.2 SHELL: 50μ Min. NICKEL ALL OVER,
 - 4.3 EMI PLATE: CLEAN
 - 4.5 MID PLATE: CLEAN
5. High temperature resistance: SMT reflow welding (peak value: 260° ±5°), no plastic bubbling.
6. The product shall be tested for solder, and the area of solder shall be more than 95%.

REV.	RCN. NO.	APPD.
A	NEW DRAW	ERIC
B		

USB TYPE-C FULL-FEATURED RECEPTACLE INTERFACE PIN ASSIGNMENTS

PIN	Signal Name	Description	PIN	Signal Name	Description
A1	GND	Ground return	B12	GND	Ground return
A4	Vbus	Bus Power	B9	Vbus	Bus Power
A5	CC1	Configuration Channel	B6	SB02	Sideband Use (SBU)
A6	Dp1	Positive half of the USB 2.0 differential pair-Position 1	B7	Dn2	Negative half of the USB 2.0 differential pair-Position 2
A7	Dn1	Negative half of the USB 2.0 differential pair-Position 1	B8	Dp2	Positive half of the USB 2.0 differential pair-Position 2
A8	SB01	Sideband Use (SBU)	B5	CC2	Configuration Channel
A9	Vbus	Bus Power	B4	Vbus	Bus Power
A12	GND	Ground return	B1	GND	Ground return

TOLERANCE UNLESS OTHERWISE SPECIFIED	
.XXX ±0.10	.X° ±3°
.XX ±0.20	.XX° ±2°
.X ±0.30	

CMTDDZ 东莞市田都科技有限公司
Dongguan Tlandu Technology Co. LTD.

APPROVED		PART NAME:	TYPE CF 24P 直立式 SMT H=10.0 主体10.3 8个点			
CHECKED		DWG No:	T11-16LS04-10.0H-A	C		
DRAWN	ERIC	PROJECTION:	UNIT:	SCALE	SHEET	REV.
DATE	2020.11.12		mm	1:1	2 OF 2	B