

### 电气特性/Electrical Specification

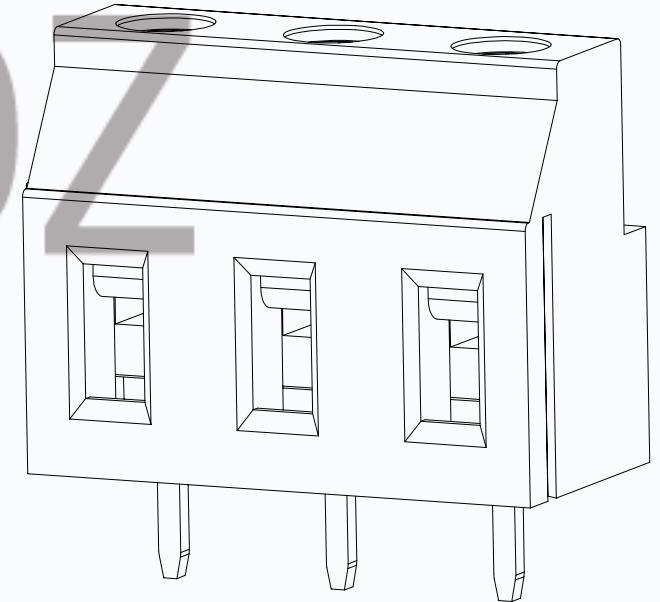
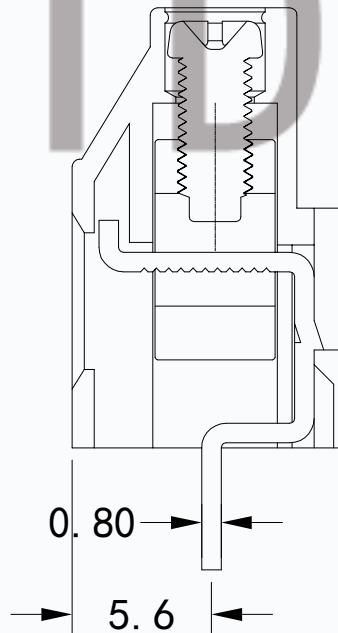
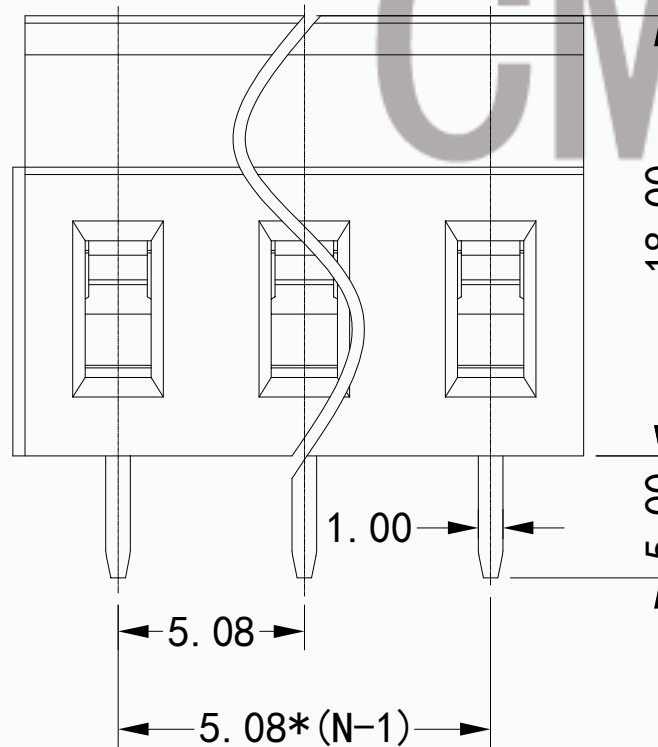
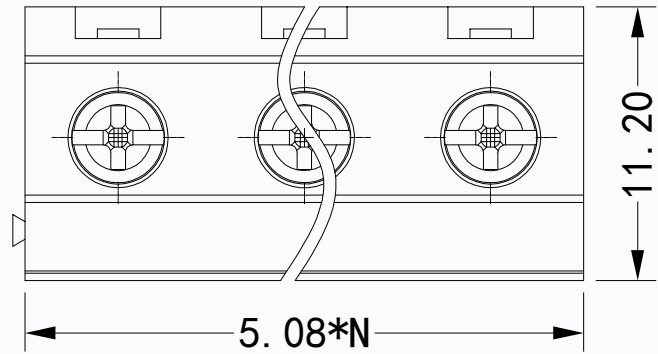
额定参数/Rated	300V 12A
绝缘电阻/Insulation Resistance	5000MΩ/1000V
抗电强度/Dielectric Strength	2500V/1 min

### 机械特性/Mechanical Specification

使用温度/Temp range	-40° C ~ +105° C
瞬间温度/MAX Soldering	+250° C 5s
扭矩/Torque	0.5Nm
剥线长度/Strip length	6.0-7.0mm
线径/Wire range	26-12AWG

### 部件材质/Part&Material

塑件/Housing	PA66 UL94 V-0
螺丝/Screws	钢 镀锌/Steel Zn plating
方块/Cage	黄铜 镀镍/Brass Ni plating
焊针/Pin header	黄铜 镀锡/Brass Tin plating



**CMTDDZ 东莞市田都科技有限公司**  
**Dongguan TianDu Technology Co. Ltd.**

PART NAME:				TITLE:	
PART NO: T19-S-5.08-NP				DWG NAME:	
APPROVED BY	CHECKED BY	DESIGN BY	DRAWN BY	CUSTOM NO:	TOLERANCE X. ±0.50 X.X ±0.30 X.X.X ±0.1 X" ±1"
			ERIC	UNITS:mm	
				SCALE	
				REVISION:	