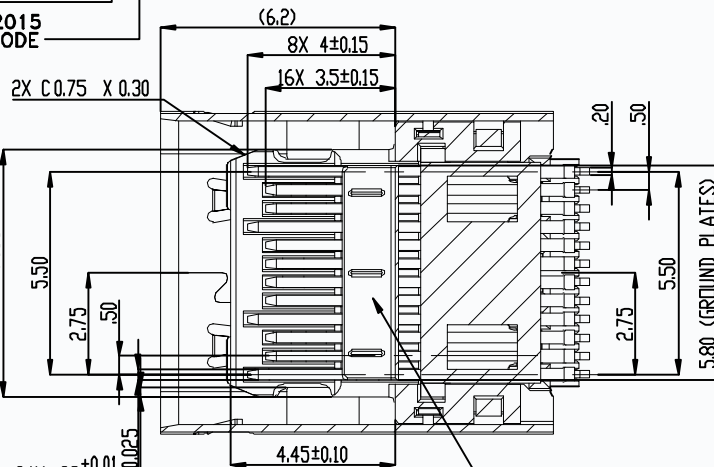


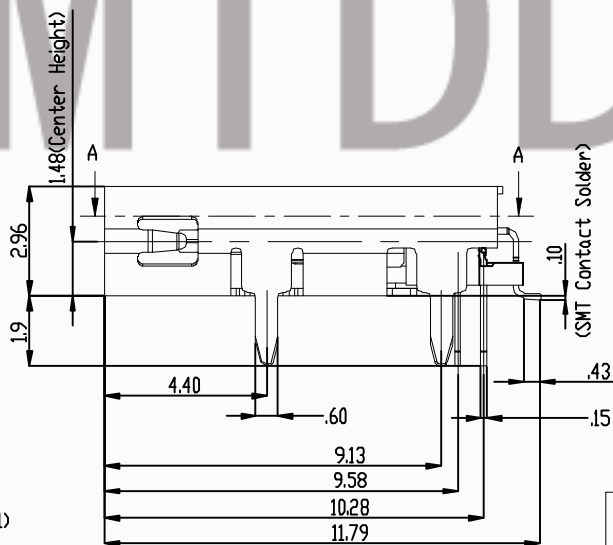
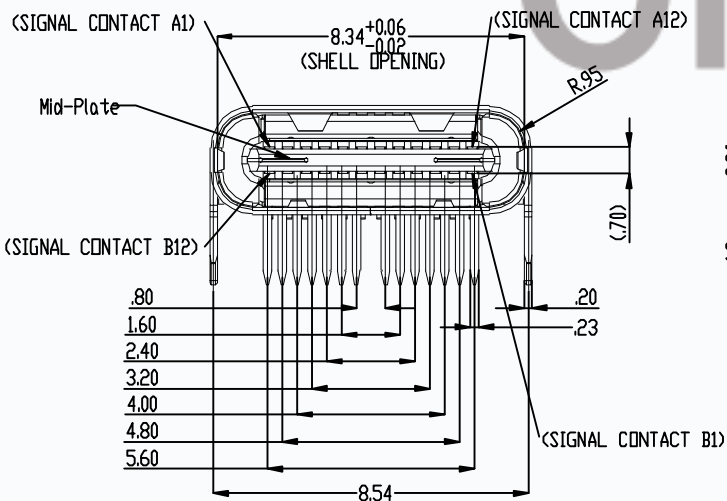
DATE CODE : YYWW  
 YEAR  
 EX.15=2015  
 WEEK CODE



**SPECIFICATION**  
**MATERIAL**  
 Insulator: Thermoplastic,Black  
 Contacts: BRASS  
 Shell:Stainless Steel  
**CONTACT PLATING**  
 Underplate: 40u"~80u" Nickel  
 Contact area: 30u"Pd-Ni+2u" Selective gold,  
 Solder tails area: 100u"~200u" Tin (Lead Free)  
**ELECTRICAL**  
 Operation voltage: 20 V  
 Current rating: 5 Amps max.  
 Insulation resistance: 100 Mohms min @ 100 VDC  
 Dielectric withstanding voltage: 100 VAC / minute  
 Temperature range: -40 C TO +105 C  
 Mating cycles: 10,000 insertions

Part no.

24X .26<sup>+0.01</sup><sub>-0.07</sub> (SIGNAL CONTACTS) (BOTH SIDES)  
 2X .25±0.025  
 SECTION A-A



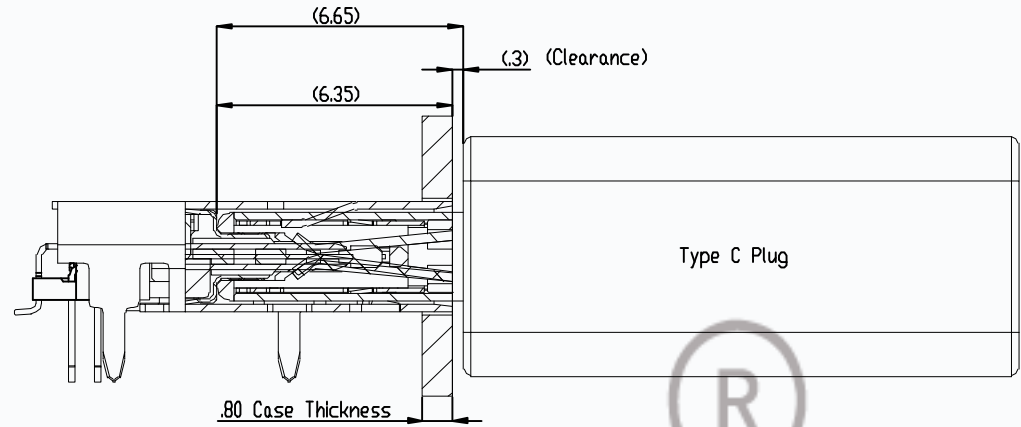
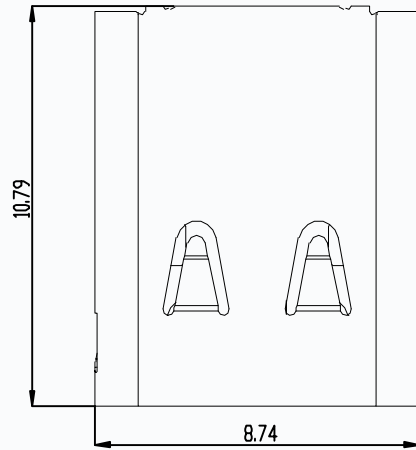
	PCB 1.0mm	PCB 1.6mm
DIM-A	1.50mm	1.90mm

UNLESS OTHERWISE SPECIFIED TOLERANCE	
ANG.	±.50
0.	±0.30
.0	±0.20
.00	±0.20

东莞市田都科技有限公司  
 Dongguan TianDu Technology Co. Ltd.

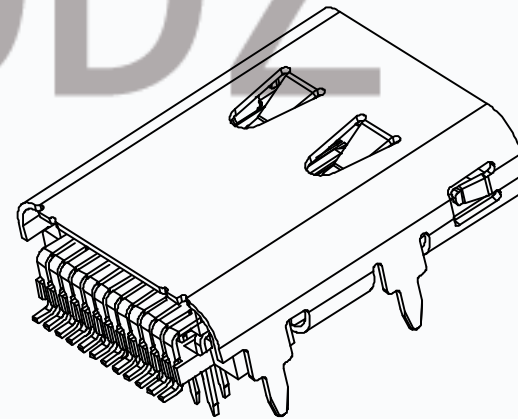
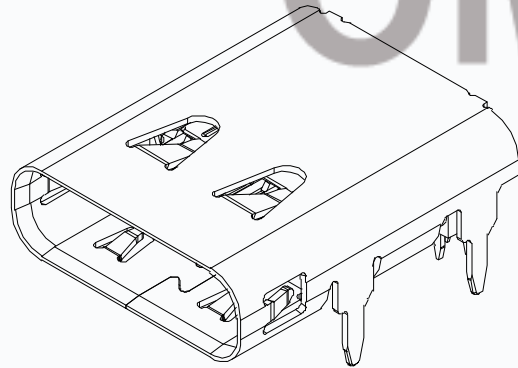
SCALE:	AS SHOWN	UNIT:	mm
DRAWN	ERIC	01/13/2017	DRAWN NAME:
CHECKED			USB TYPE C Receptacle
APPROVED			PRODUCT NO.

REV.	DESCRIPTION	DATE	SIZE	REV.	FILE NAME:
B	T11-1701018(ERIC) (7,G) 修改電鍍規格	01/13/2017	A4	B	T11-24BS119(GA)
A	T11-1602039(ERIC)X15 Change to A	02/26/2016			



PLUG FULLY SEATED IN RECEPTACLE

CDXDC logo



CMTDDZ



UNLESS OTHERWISE SPECIFIED TOLERANCE	
ANG.	±5°
0.	±0.50
.0	±0.30
.00	±0.20

SCALE: AS SHOWN UNIT: mm

东莞市田都科技有限公司  
Dongguan TianDu Technology Co., Ltd.

DRAWN ERIC 01/13/2017

DRAWN NAME: USB TYPE C Receptacle

CHECKED

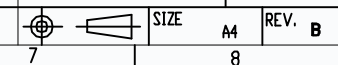
APPROVED

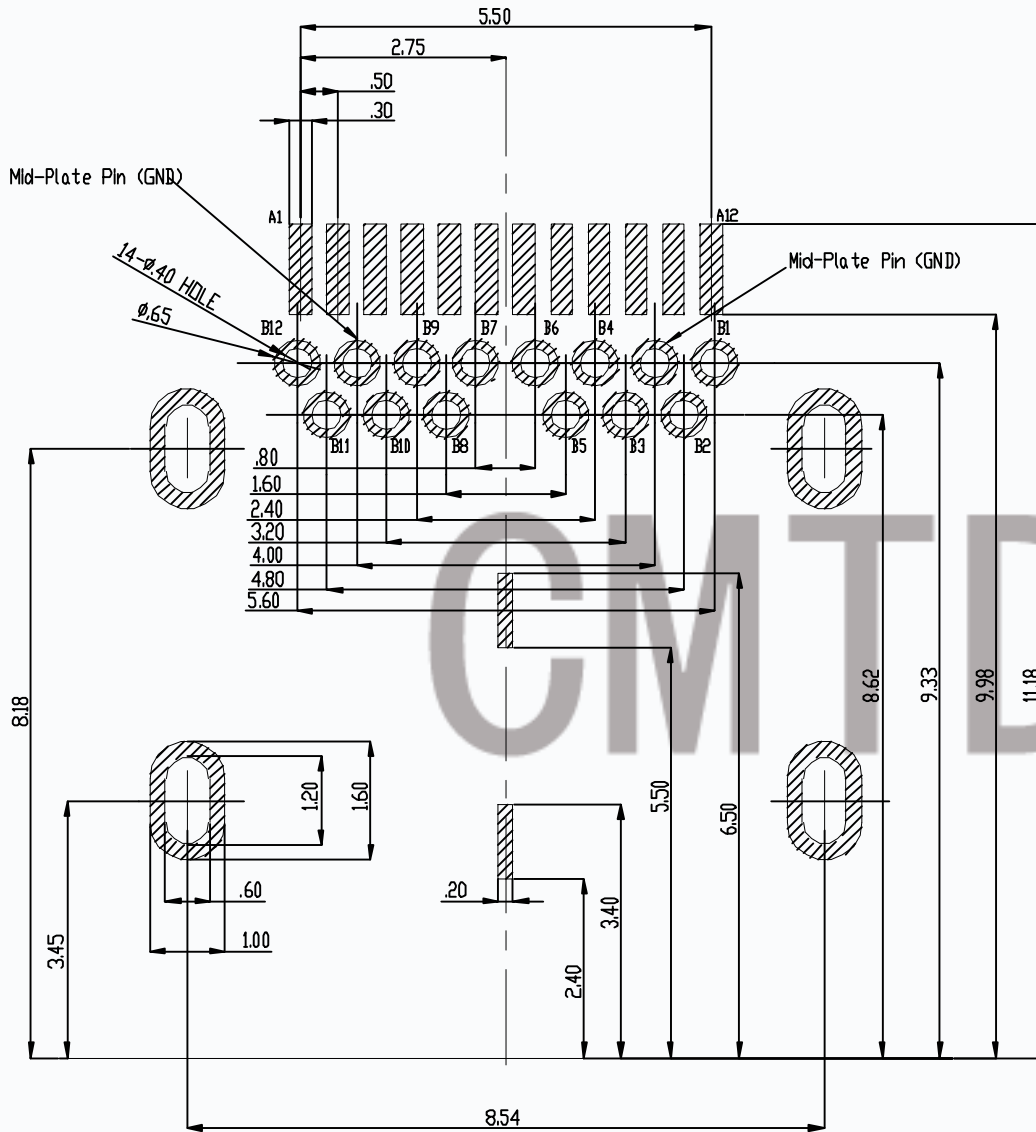
PRODUCT NO.

DATE

FILE NAME: T11-24BS119(GA)

REV.	DESCRIPTION	DATE
B	T11-17 (ERIC)See DWG 1/3	01/13/2017
A	T11-1602039(ERIC)X15 Change to A	02/26/2016





Recommended PCB LAYOUT  
 TOLANCE ±0.05  
 PCB Tickness = 1.0 For 1.50 Solder tail  
 1.6 For 1.90 Solder tail

USB TYPE -C Pin Assignments

Pin Number	Signal Name	Pin Number	Signal Name
A1	GND	B12	GND
A2	SSTXp1	B11	SSRXp1
A3	SSTXn1	B10	SSRXn1
A4	VBUS	B9	VBUS
A5	CC1	B8	SBU2
A6	Dp1	B7	Dn2
A7	Dn1	B6	Dp2
A8	SBU1	B5	CC2
A9	VBUS	B4	VBUS
A10	SSRXn2	B3	SSTXn2
A11	SSRXp2	B2	SSTXp2
A12	GND	B1	GND

UNLESS OTHERWISE SPECIFIED TOLERANCE  
 ANG. ±5°  
 0. ±0.50  
 .0 ±0.30  
 .00 ±0.20

SCALE: AS SHOWN UNIT: mm

DRAWN ERIC 01/13/2017

CHECKED

APPROVED

SIZE A4 REV. B

东莞市田都科技有限公司  
 Dongguan TianDu Technology Co., Ltd.

DRAWN NAME: USB TYPE C Receptacle

PRODUCT NO.

FILE NAME: T11-24BS119(GA)

REV.	DESCRIPTION	DATE
B	T11-17 (ERIC)See DWG 1/3	01/13/2017
A	T11-1602039(ERIC)X15 Change to A	02/26/2016