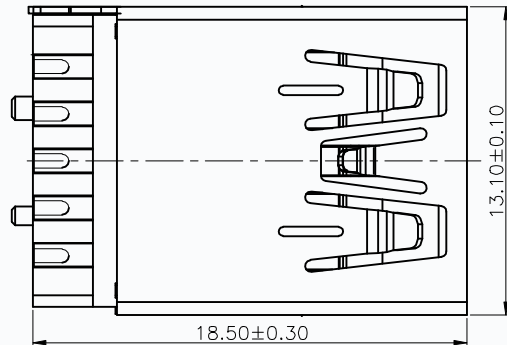
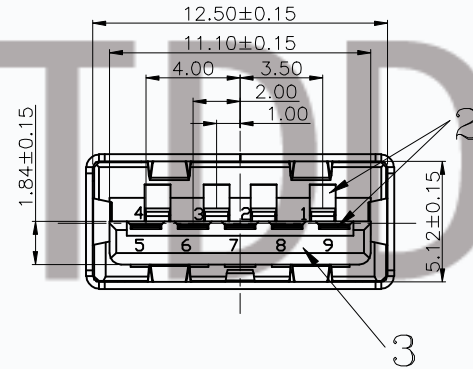
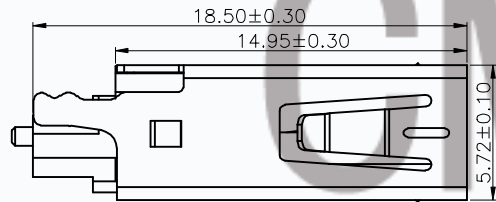
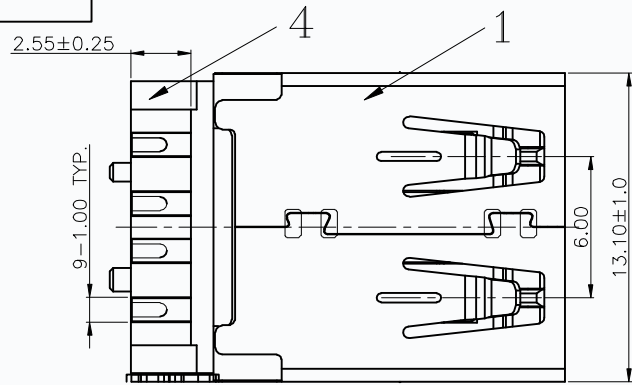


RoHS

REV.	EC#	DESCRIPTION	DATE	DRAWING	CHECKED	APPROVED
A0		NEW RELEASE	09/13'14	DAVID		ERIC



NOTE:

- *Electrical Characteristics;
 - 1.CONTACT RESISTANCE:30mΩ MAXIMUM
 - 2.CONTACT CURRENT RATING:1.5A
 - 3.DIELECTRIC WITHSTANDING VOLTAGE:500 V R.M.S.
 - 4.INSULATION RESISTANCE 1000 MEGOHMS MIN
- *Mechanical Characteristics;
 - 1.MATING FORCE:3.57kg MAX
 - 2.UNMATED FORCE:1.02kg MIN

T10-3F339S - * S* OA3 * - * *

W:白色 B:黑色
L:蓝色 R:红色
G:绿色

S1 镀金1u" S2 镀金3u"
S3 镀金5u" S4 镀金10u"
S5 镀金15u" S6 镀金30u"

L:LCP B:PBT
6:PA66 9:PA9T

C:外壳铜壳
S:外壳不锈钢
P:外壳铁壳

N: 外壳镀锌
G: 外壳镀金

NO.	TITLE	Q'TY	MATERIAL	REMARK
4	COVER	1	PBT	
3	HOUSING	1	PBT	
2	TERMINAL	9	COPPER ALLOY	
1	SHELL	1	COPPER ALLOY	

MILLIMETERS	INCH	UNITS
X. ^o ± 1'	X. ^o ± 1'	MM
.X ± 0.38	.XX ± 0.001	MAT'L
.XX ± 0.25	.XXX ± 0.00625	SEE NOTES
.XXX ± 0.15	.XXXX ± 0.000375	FINISH
THESE DRAWINGS AND SPECIFICATIONS ARE THE PROPERTY OF DongGuan TianDu Technology Co., Ltd. COPIED OR USED IN ANY MANNER WITHOUT THE PRIOR WRITTEN CONSENT OF DongGuan TianDu Technology Co., Ltd.		
QTY	SEE NOTES	SEE NOTES

CMTDDZ 东莞市田都科技有限公司
Dongguan TianDu Technology Co. Ltd.

PART NUMBER: SEE PART NO. TITLE: USB 3.0 A BNC 自动屏蔽式贴片带凸连接头

APPD: JEFF DWG NO.: T10-3F339S

SCALE	SHEET	REV.
1:1	1/1	A0

