

1 2 3 4 5 6 7 8

项目 Mapx	变更内容 Modification	日期 Date	修改人 Draw	核准 Approve

规格说明: Specifications:

电气特性: Electrical:

- 额定电流: Current Rating  
1.5A/contact terminal
- 额定电压: Voltage Rating  
30V DC
- 接触阻抗: Contact Resistance  
30 milliohms MAX
- 耐电压: Dielectric Withstanding Voltage:  
500 V AC AT Sea Level
- 绝缘阻抗: Insulation Resistance:  
1000MEGA ohms MIN

物理性能: Mechanical:

- 插拔力: Connector Mate and Unmate Force  
Mate force: 3.57kgf(MAX)  
Unmate force: 1.02kgf(MIN)
- 端子保持力: Terminal Retention  
1.0kgf(MIN)

原材料: Material:

- 塑胶: Housing:  
Hing Temperature Ternmaplastics,
- 端子: Contact: Copper Alloy C2680
- 外壳: Shell: Copper Alloy C2680/SPCC

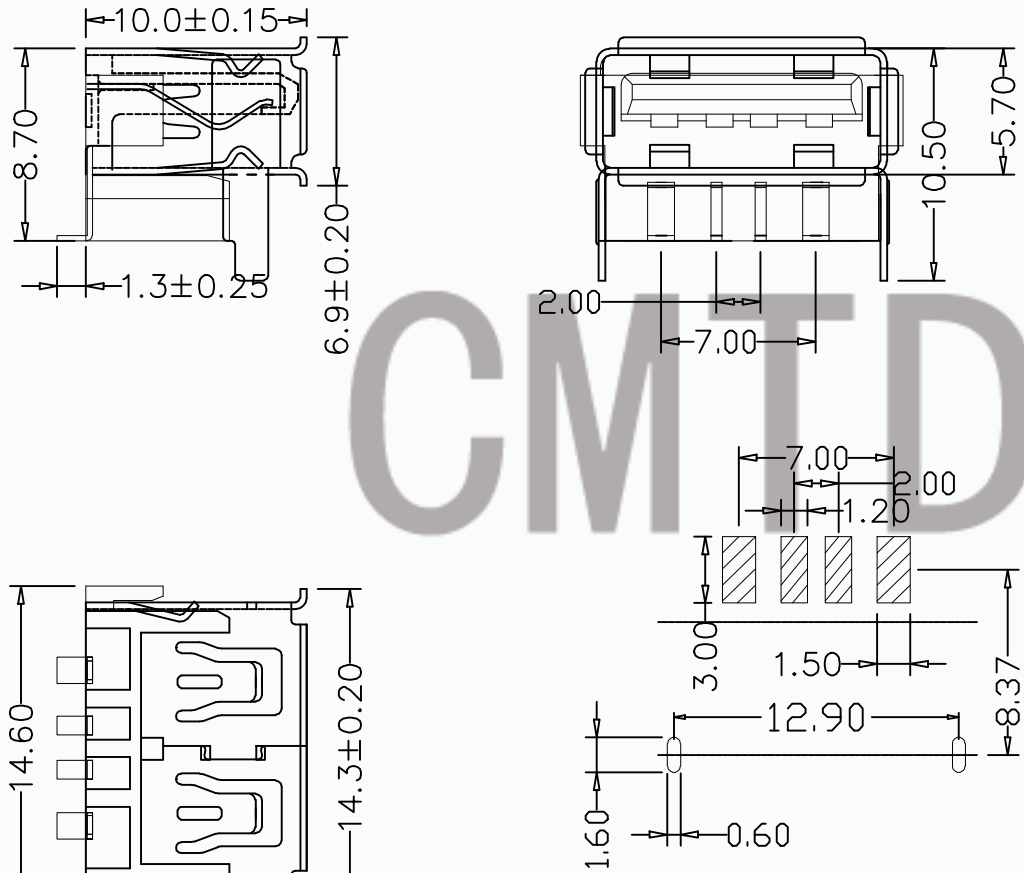
电镀: Finish:

- 端子: Contact: Plated Gold in Mating Area  
Tin On Solder Talls

端子四周镀30-50U"(MIN)镍, 镀80-120U"锡, 刷金0.8-1U"

- 外壳: Shell:  
铁壳四周镀80U"(MIN)铜底, 80U"镍, 铜壳镀80U"镍

Nickel Plating



RECOMMENDED P.C.B LAYOUT

成品图 MANUFACTURE DWG		CMTDDZ 东莞市田都科技有限公司 Dongguan TianDu Technology Co. Ltd.							
公差一览表 TOLERANCE UNLESS OTHERWISE		日期 DATE	2016.10.20	单位 UNIT	MM	制图 DRAWING		DWG NO.	
X±0.15	X.±5'	审核 CHECKED		比例 SCALE	1:1	设计 DESIGN	ERIC	品名 NAME	继电器脚座 8.7 贴片等座
XX±0.05	.X±2'	核准 APPROVE		角法 VIEW	⊕			版本 VER	AO
XXX±0.02	.XX±1'							页 SHEET	011

1 2 3 4 5 6 7 8

A  
B  
C  
D  
E  
F

A  
B  
C  
D  
E  
F