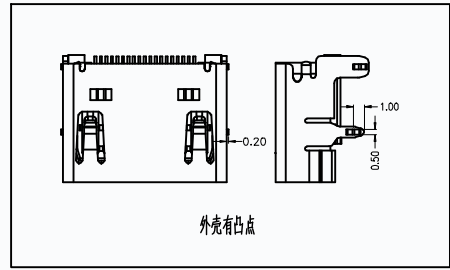
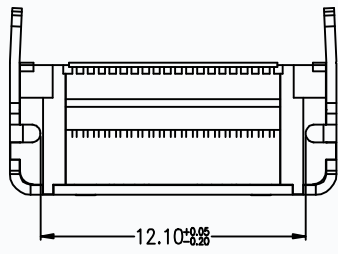
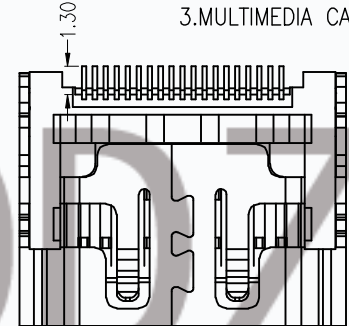
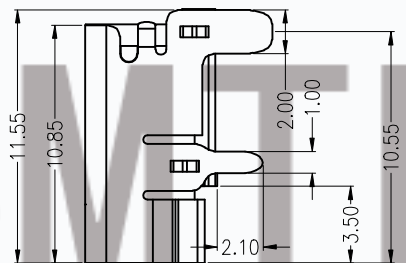
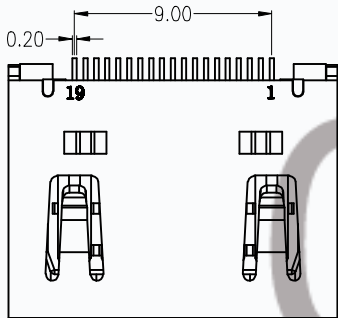


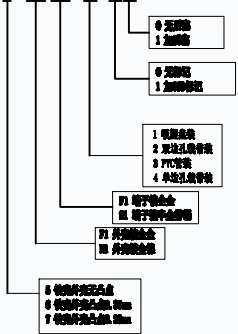
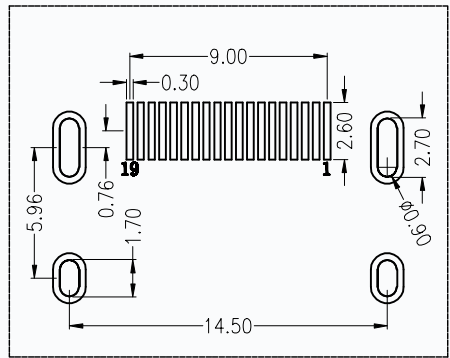
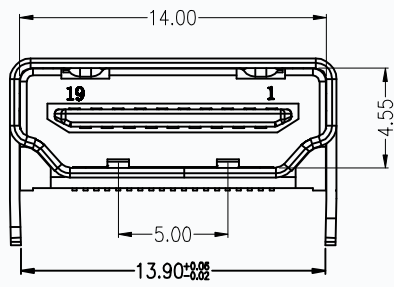
REV.	DESCRIPTION	APPD	DATE



NOTES:
 1.MATERIAL:
 HOUSING: HIGH TEMPERATURE THERMOPLASTIC
 UL94V_0,COLOR:BLACK.
 CONTACT: COPPER ALLOYS.
 COVER: SPEC
 2.PLATING:
 UNDERPLATE: NICKEL.
 CONTACT AREA: GOLD OVER NICKEL.
 SOLDER AREA: TIN OVER NICKEL.
 3.MULTIMEDIA CARD COMPATIBLE



订购需知: T15-19F02B-A-X-XXXX-XOXX-A



RECOMMENDED P.C.B HOLE LAYOUT
 COMPONENT SIDE VIEW(TOLERANCE: +/-0.05)

PART NO: T15-19F02B-A		MATERIAL:		CMTDDZ 东莞市田都科技有限公司 Dongguan TianDu Technology Co., Ltd.	
LOT NO:		FINSH:			
UNIT: MM	SIZE: A4	COLOR:		TITLE: HDMI A TYPE 19P SMT 贴片 2.1mm间距	
TOLERANCES: X.X=?..35 X.XX=?..25 X.XXX=?..15		GENERAL ANGLE: X.X=?..0' X.XX=?..0'		DR: ERIC	DWG NO: T15-19F02B-A
APP:		CHK:		REV: C/0	SCALE: 1:1
				SHEET: 1 OF 4	