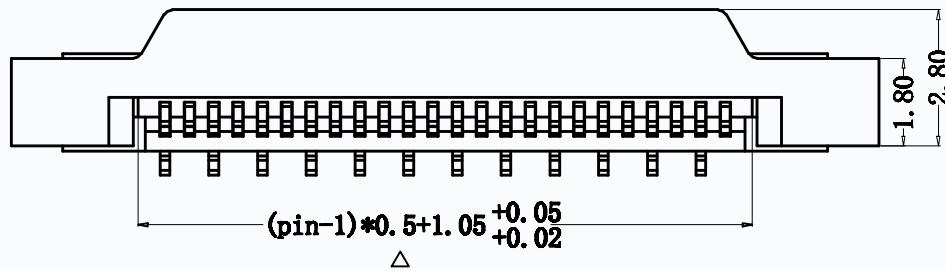
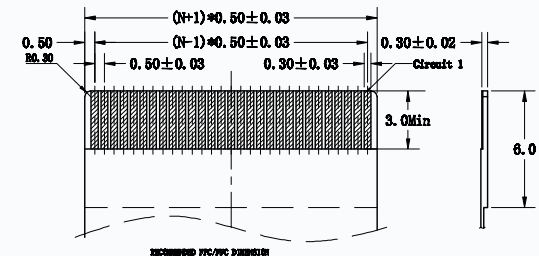
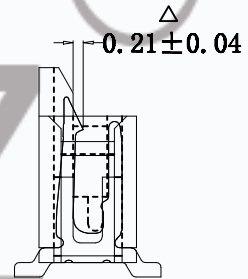
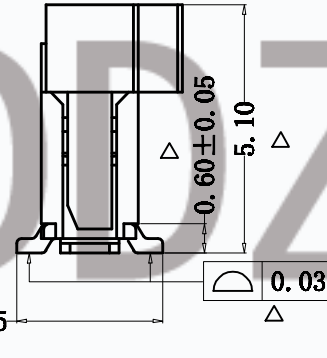
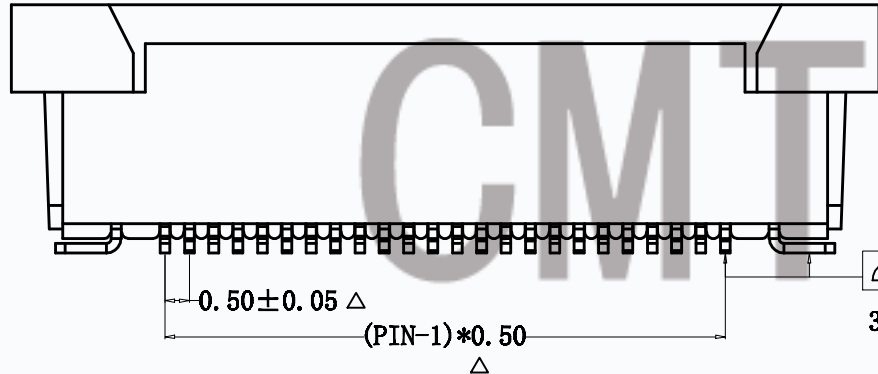


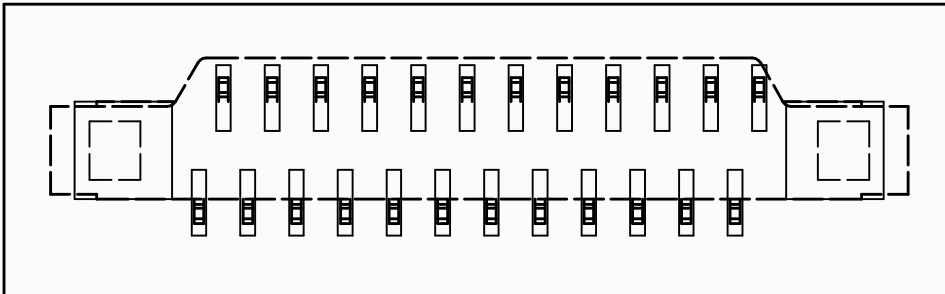
REV.	DESCRIPTION	APPD	DATE



NOTES:
 1.MATERIAL:
 HOUSING: HIGH TEMPERATURE THERMOPLASTIC UL94V_0,COLOR:BLACK.
 CONTACT: COPPER ALLOYS.
 2.PLATING:
 UNDERPLATE: NICKEL 50u"
 CONTACT AREA: 80u" TIN OVER NICKEL.
 3.MULTIMEDIA CARD COMPATIBLE



订购需知:
 T17-0520LS-xx
 xx=PIN数



PART NO: T17-0520LS-xx		MATERIAL:		CMTDDZ 东莞市田都科技有限公司 Dongguan TianDu Technology Co., Ltd.
LOT NO:		FINISH:		
UNIT: MM	SIZE: A4	COLOR:		TITLE: FPC 0.5PH H2.0 立式抽拉
TOLERANCES: X.X=? .35 X.XX=? .25 X.XXX=? .15		GENERAL ANGLE: X.X=? .0° X.XX=? .0°		DWG NO: T17-0520LS-xx
DR: ERIC		CHK:		REV: C/0
APP:		SCALE: 1:1		SHEET: 1 OF 1