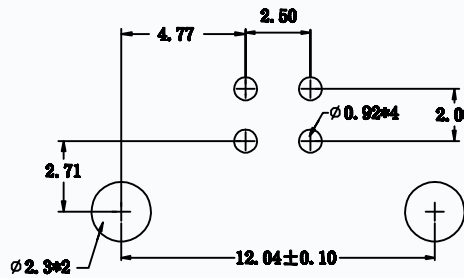
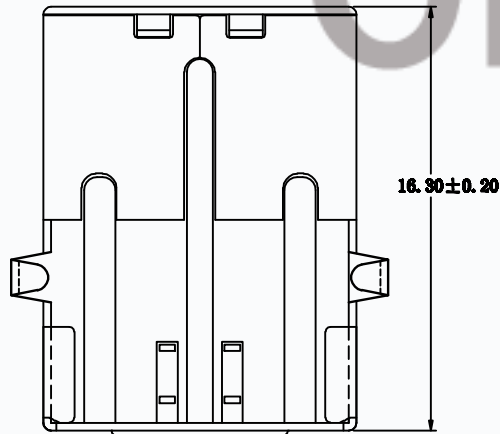
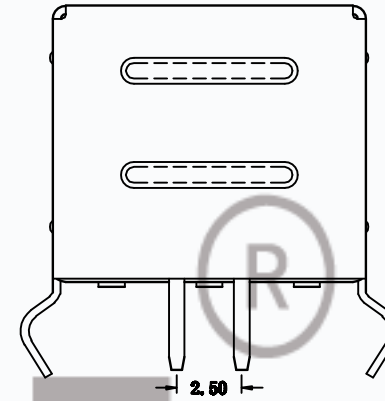
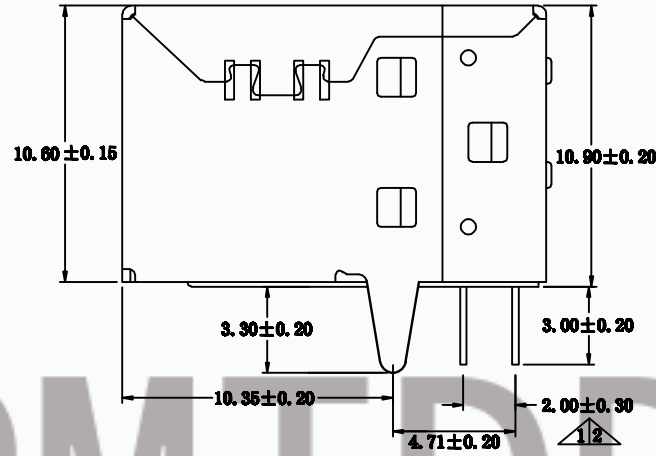
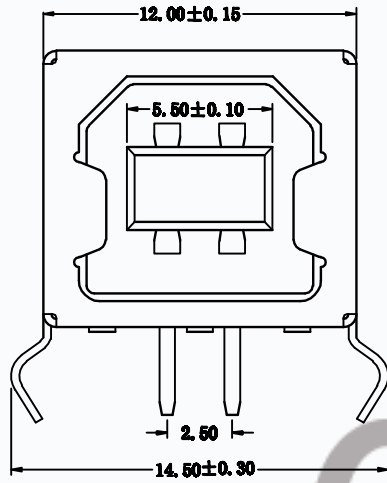


REV. (版本号)	DESCRIPTION (变更说明)	DATE (日期)	APPD (批准)



规格说明: Specifications:

电气特性: Electrical:

- 额定电流: Current Rating
1.5A/contact terminal
- 额定电压: Voltage Rating
30V DC
- 接触阻抗: Contact Resistance
30 milliohms MAX
- 耐电压: Dielectric Withstanding Voltage:
500 V AC AT Sea Level
- 绝缘阻抗: Insulation Resistance:
100MEGA ohms MIN

原材料: Raw material:

- 塑胶: Plastic cement:
Hing Temperature Thermoplastics,
PET White/Black
- 端子: Contact: Copper Alloy C2680
- 外壳: Shell: SPOC/Copper Alloy C2680

电镀: Electroplate:

- 端子: Contact: Plated Gold in Mating Area;
Tin On Solder Tails
- 外壳: Shell:
Nickel Plating

CMTDDZ 东莞市田都科技有限公司 Dongguan TianDu Technology Co. Ltd.		页码 (SHEET)	1/1	单位 (UNIT): MM
		版本 (REV)	A/2	比例 (SCALE) 1:1
品名 (ITEM NO)	USB B/F 90° DIP弯脚	日期 (DATE)	2011.06.18	 未注公差 TOLERANCE UNSPECIFIED I.X ±0.30 I.IX ±0.20 I.IXX ±0.10 I.X' ±0.5' I.X'' ±2'
料号 (PART NO)	90度B母B型母座弯脚白胶	设计 (DESIGN)	ERIC	
图号 (DWG NO)		审核 (CHECKED)		
		核准 (APPROVED)		