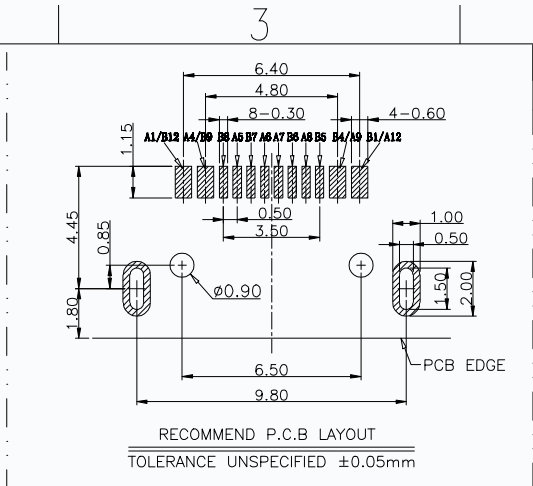
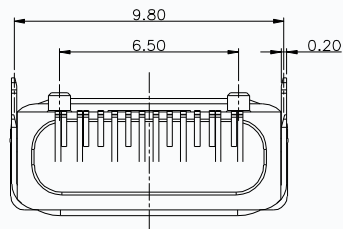
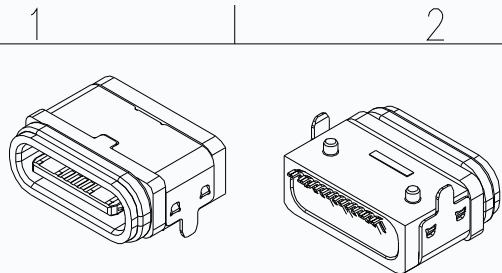


专利产品



RECOMMEND P.C.B LAYOUT  
TOLERANCE UNSPECIFIED ±0.05mm

REV.	ECN	DESCRIPTION	MDF'D	DATE
A0		新订图面	ERIC	2021. 10. 27

- NOTES:
- SPECIFICATION:**
- CURRENT RATING: 3.0 A
  - VOLTAGE RATING: 3.0 V
  - VBUS & GND PINS AND OTHER PINS: 40mΩ/PIN MAX  
SHIELD: 50mΩ/MAX  
LLCR MAX. CHANGE OF ALL PINS: 100m
  - INSULATION RESISTANCE: 100MΩ MIN
  - DIELECTRIC WITHSTAND VOLTAGE, AC 100V FOR 1MINUTE
  - INSERTION FORCE: 0.5-2.0kgf
  - UNMATING FORCE: 0.8-2.0kgf
  - DURABILITY: 10000 CYCLES
  - OPERATING TEMPERATURE: -35°C~+85°C
  - THE PEAK TEMPERATURE ON THE BOARD SHALL BE MAINTAINED FOR 10 SECONDS AT 260°C
  - WATERPROOF: IP-X7.

SUB TYPE C PIN ASSIGNMENTS

PIN NUMBER	SIGNAL NAME	PIN NUMBER	SIGNAL NAME
A1	GND	B12	GND
A4	VBUS	B9	VBUS
A5	CC1	B8	SBU2
A6	DP1	B7	DN2
A7	DN1	B6	DP2
A8	SBU1	B5	CC2
A9	VBUS	B4	VBUS
A12	GND	B1	GND

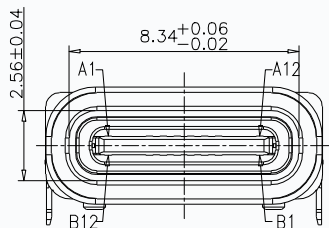
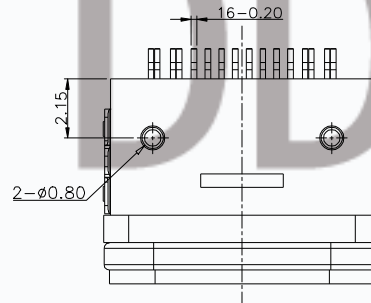
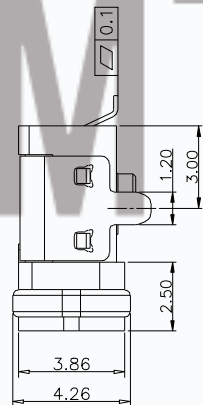
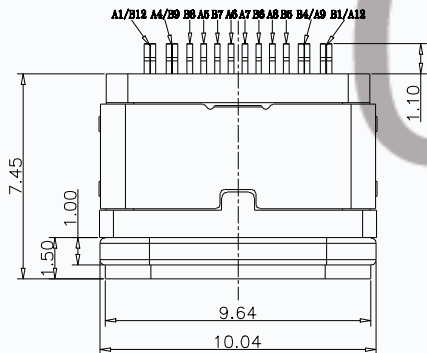


TABLE:

NO	PART	Q'TY	Material
1	PLASTIC SHELL	1	PA UL94 V-0 BLACK
2	CONTACT	16	C7025,TIN80u"/Au3u"/NI30u"PLATED
3	MID PLATE	1	SUS301,NO PLATING
4	HOUSING	1	LCP UL94 V-0 BLACK
5	SHIELDING PLATE	1	SUS,NI PLATED
6	WATERPROOF RING	1	SILICONE UL94 V-0 BLACK

<b>CMTDDZ 东莞市田都科技有限公司</b> Dongguan TianDu Technology Co. Ltd.		页码 (SHEET)	1/1	单位 (UNIT): MM
		版本 (REV)	A0	比例 (SCALE) 1:1
品名 (ITEM NO)	TYPE C 16P 防水母座板上 L=7.45mm (U型全塑款)	日期 (DATE)	2021. 10. 27	未注公差 TOLERANCE UNSPECIFIED X.X ±0.20 X.XX ±0.15 X.XXX ±0.10 X' ±5° X.X' ±2°
料号 (PART NO)	T11-16FS01-7.45L	设计 (DESIGN)	ERIC	
图号 (DWG NO)		审核 (CHECKED)	JEFF	
		核准 (APPROVED)	Coco	
These drawings and specifications are Dongguan TianDu Technology Co. Ltd. The property should not be copied. Without Dongguan TianDu Technology Co. Ltd. Prior written consent to copy or use in any way				