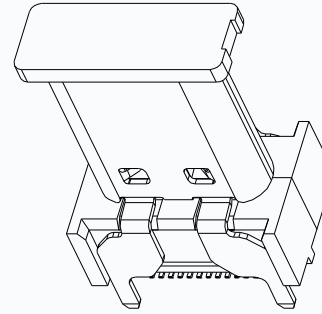
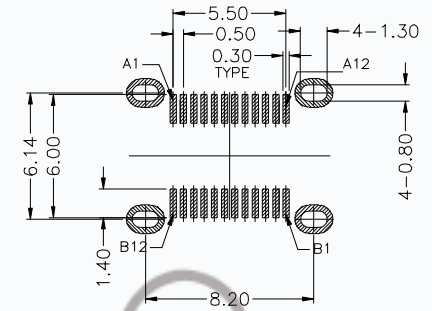


WITHOUT COVER



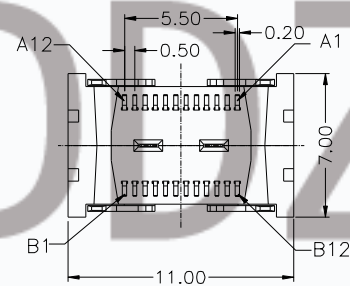
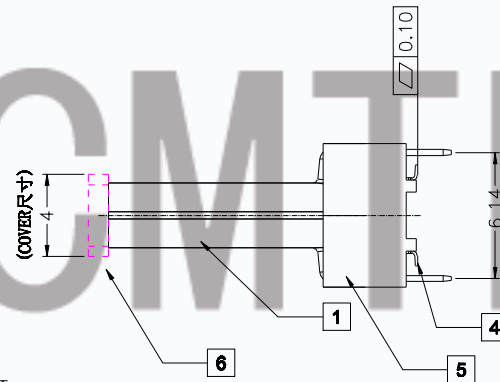
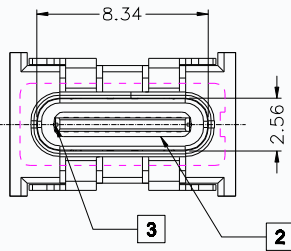
WITH COVER



RECOMMEND P.C.B. LAYOUT (COMPONENT SIDE)

TOLERANCE FOR PCB LAYOUT IS  $\pm 0.05$

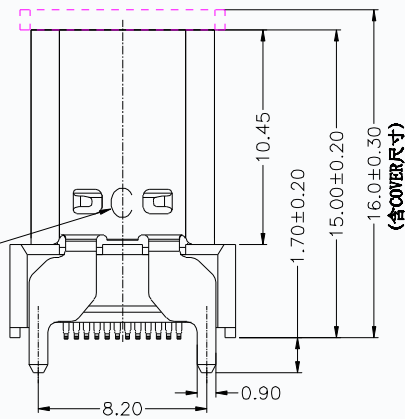
KEEP OUT AREA



T11-24LS07-15H-XX-R

Mating Area plating

- 01: Au 1u"Min.
- 03: Au 3u"Min.
- 05: Au 5u"Min.
- 10: Au 10u"Min.
- 15: Au 15u"Min.
- 30: Au 30u"Min.



1. Contact Resistance: 40mOHM Max.;
2. Dielectric Withstanding Voltage: 100V AC For 1 Minute;
3. Insulation Resistance: 100M OHM Min.;
4. Mating And unmating Force:  
Mating Force: 5~20N  
Unmating Force: 8~20N;  
6~20N AFTER TEST;
5. Durability: 10000 Cycles;

Item	Title	Material	Dispose	Q'TY
1	Shell	SUS304	Ni:30u" Min.	1PCS
2	GND Plate	SUS301		2PCS
3	Mid Plate	SUS301		1PCS
4	Contact	C7025	Mating Area: See P/N Solder Tails: Matt Tin	2PCS
5	Insert Molding	LCP E6808	UL 94V-0 Black	1PCS
6	COVER	LCP E6808	UL 94V-0 Black	1PCS

X. $\pm 0.35$	APPD: JEFF	TITLE: USB 3.1 TYPE C FEMALE VERTICAL H15.0mm SMT TYPE	PART NO: T11-24LS07-15H
.X $\pm 0.25$	CHKD: /		
.XX $\pm 0.15$	DR: ERIC	CMTDDZ 东莞市田都科技有限公司 Dongguan TianDu Technology Co., Ltd.	
.XXX $\pm 0.10$		DWG NO: T11-24LS07-15H	CUSTOMER DRAWING
X' $\pm 2'$		UNITS: mm	SCALE: 3:1
.X' $\pm 1.5'$			SHEET: 10F1 REV: A

REV	ECN NO	DESCRIPTION	DESIGN	DATE
A	TD2020-XXXX	New Drawing	ERIC	2020/03/30