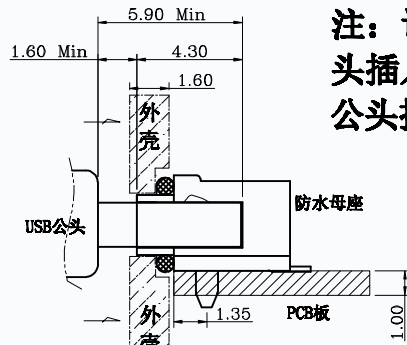
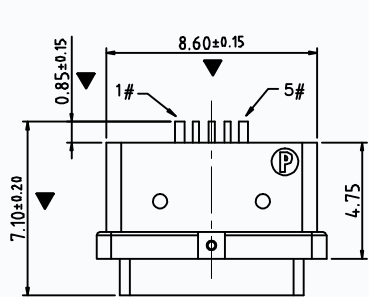


CAD GENERATED DRAWING. DON'T CHANGE BY HAND.

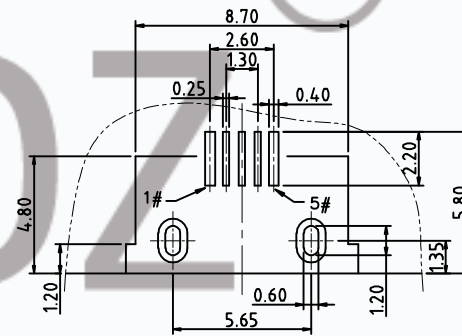
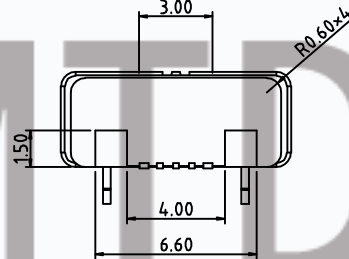
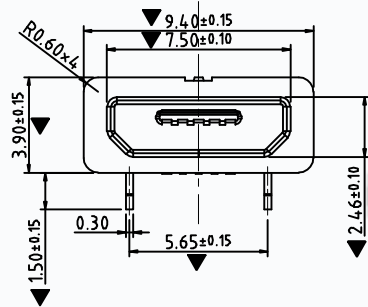
| REV. | ECN. NO. | APPD. |
|------|----------|-------|
| | | |



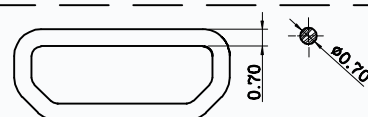
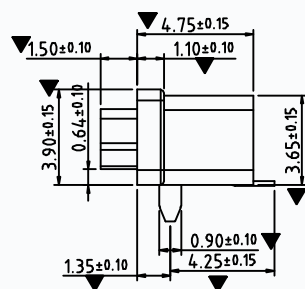
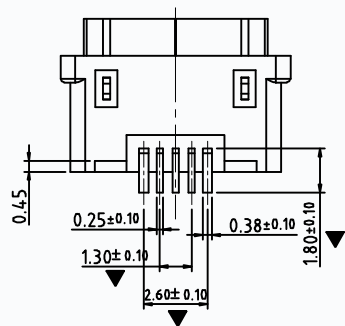
注：设计时，请注意公头插入时的距离，防止公头插不到底。

组装示意图

- SPECIFICATIONS:
- ELECTRICAL CHARACTERISTICS:
 - RATING: 3A(PIN1&5),0.5A(PIN2&3&4);
 - CONTACT RESISTANCE: 30 mΩ MAX.(INITIAL);
 - DIELECTRIC WITHSTANDING: 500V AC MIN.;
 - INSULATION RESISTANCE: 1000MΩ MIN.;
 - DURABILITY: 5,000 CYCLES MIN.;
 - INSERTION FORCE: 3.5Kgf (35N) Max.;
 - EXTRACTION FORCE: 0.8Kgf (8N) Min.;
 - WATER PROOFNESS: THIS PRODUCT IS BASED ON IPX6
 - PLUG INTERFACE DIMENSIONS COMFORM TO USB2.0 SPEC.
 - PACKAGING: TAPE & REEL.




P.C.B LAYOUT



注：防水圈是圆形截面，直径为0.7mm的硅胶圈
防水圈挤压力，由0.7mm挤压力到0.3mm ~ 0.4mm，防水效果好

| Contact Number | Signal Name | Remarks |
|----------------|-------------|------------------|
| 1# | VBUS | Power |
| 2# | D- | Date- |
| 3# | D+ | Date+ |
| 4# | ID | Reserve or Gound |
| 5# | GND | Gound |

| | | | |
|---|---------|---|--|
| 3 | Shell | 1 | SUS304R-1/2H Ni Plating T=0.30mm |
| 2 | Contact | 5 | Phosphor bronze_C5191R-EH Au/Ni Plating T=0.20mm |
| 1 | Housing | 1 | PA9T&LCP (G.F30%) |

| ITEM | PART NAME | Q' TY | FINISH | NOTE |
|--|-----------|-------------|--------|--|
| X. | ± 0.50 | X.° ± 2° | UNITS | CMTDDZ 东莞市田都科技有限公司 Dongguan TianDu Technology Co. Ltd. |
| .X | ± 0.30 | .X° ± 1° | mm | |
| .XX | ± 0.10 | .XX° ± 0.5° | MAT'L | |
| .XXX | ± 0.05 | | | |
| | | | | |
| THESE DRAWINGS AND SPECIFICATIONS ARE THE PROPERTY OF TIANDU TECHNOLOGY CO.,LTD.AND SHALL NOT BE REPRODUCED, COPIED OR USED IN ANY MANNER WITHOUT THE PRIOR WRITTEN CONSENT OF TIANDU TECHNOLOGY CO.,LTD | | | FINISH | PART NO. T10-05IPX6-02 |
| | | | Q' TY | TITLE: Micro USB 5Pin SMT (B) Type (贴片埋丝) |
| | | | | APPD: DAVID CHD: JEFF DR: ERIC |
| | | | | DWG NO.: T10-05IPX6-02 |
| | | | |  SCALE SHEET REV. 1/1 1/1 A1 |