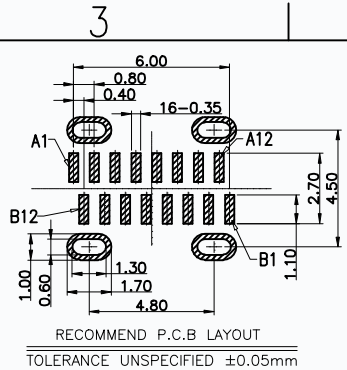
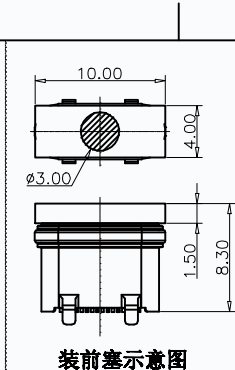
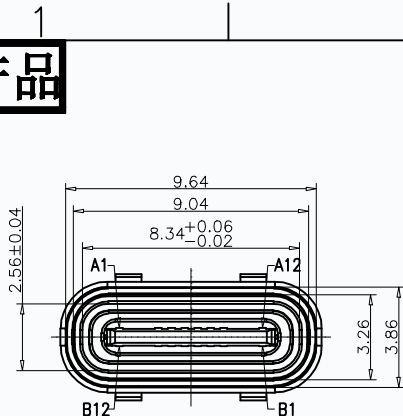
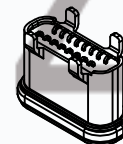
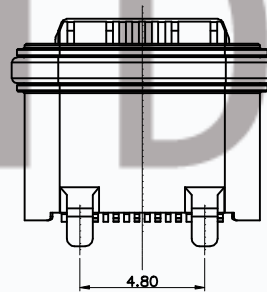
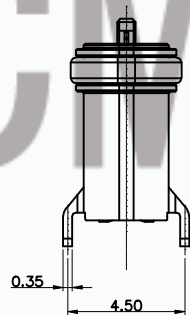
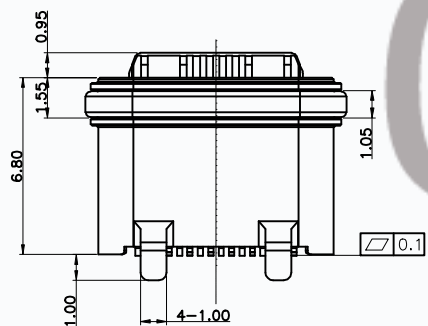


专利产品



REV.	ECN	DESCRIPTION	MDF'D	DATE
A0		新订图面	ERIC	2021. 11. 12

NOTES:
SPECIFICATION:
 1. CURRENT RATING: 3.0 A
 2. VOLTAGE RATING: 3.0 V
 3. VBUS & GND PINS AND OTHER PINS: 40mΩ/PIN MAX
 SHIELD: 50mΩ/MAX
 LLCR MAX. CHANGE OF ALL PINS: 100m
 4. INSULATION RESISTANCE: 100MΩ MIN
 5. DIELECTRIC WITHSTAND VOLTAGE, AC 100V FOR 1MINUTE
 6. INSERTION FORCE: 0.5-2.0kgf
 7. UNMATING FORCE: 0.8-2.0kgf
 8. DURABILITY: 10000 CYCLES
 9. OPERATING TEMPERATURE: -35°C~+85°C
 10. THE PEAK TEMPERATURE ON THE BOARD SHALL BE MAINTAINED FOR 10 SECONDS AT 2 10-230°C
 11. WATERPROOF: IP-X7.



USB TYPE C PIN ASSIGNMENTS

PIN NUMBER	SIGNAL NAME	PIN NUMBER	SIGNAL NAME
A1	GND	B12	GND
A4	VBUS	B9	VBUS
A5	CC1	B8	SBU2
A6	DP1	B7	DN2
A7	DN1	B6	DP2
A8	SBU1	B5	CC2
A9	VBUS	B4	VBUS
A12	GND	B1	GND

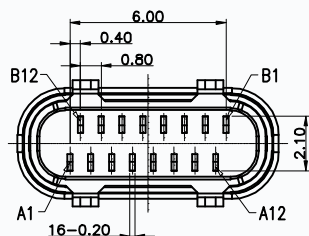


TABLE:

NO	PART	Q'TY	Material
1	SHELL	1	ZINC ALLOG, NI30u"Min PLATED
2	CONTACT	16	C7025, TIN80u"/Au3u"/NI30u"PLATED
3	MID PLATE	1	SUS301, NO PLATING
4	HOUSING	1	LCP(E130i) UL94 V-0 BLACK
5	CAP	1	LCP UL94 V-0 BLACK
6	WATERPROOF RING	1	SILICONE(SI/60-65A) UL94 V-0 BLACK

CMTDDZ 东莞市田都科技有限公司 Dongguan TianDu Technology Co. Ltd.		页码 (SHEET)	1/1	单位 (UNIT): MM
		版本 (REV)	A0	比例 (SCALE) 1:1
品名 (ITEM NO)		日期 (DATE)	2021. 11. 12	未注公差 TOLERANCE UNSPECIFIED I, I ±0.20 II, II ±0.15 III, III ±0.10 I.r ±0.10
料号 (PART NO)		设计 (DESIGN)	ERIC	
图号 (DWG NO)		审核 (CHECKED)	DAVID	
		核准 (APPROVED)	JEFF	
These drawings and specifications are Dongguan TianDu Technology Co. Ltd. The property should not be copied. Without Dongguan TianDu Technology Co. Ltd. Prior written consent to copy or use in any way				