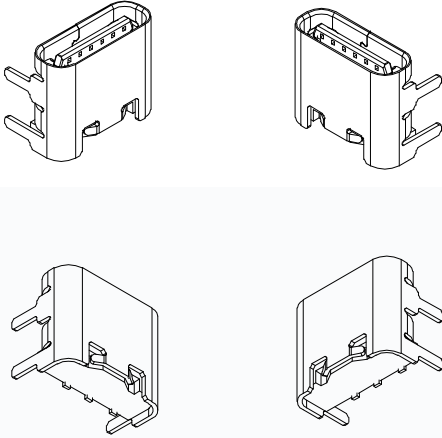


# CMTDDZ 东莞市田都科技有限公司

## Dongguan TianDu Technology Co. Ltd.

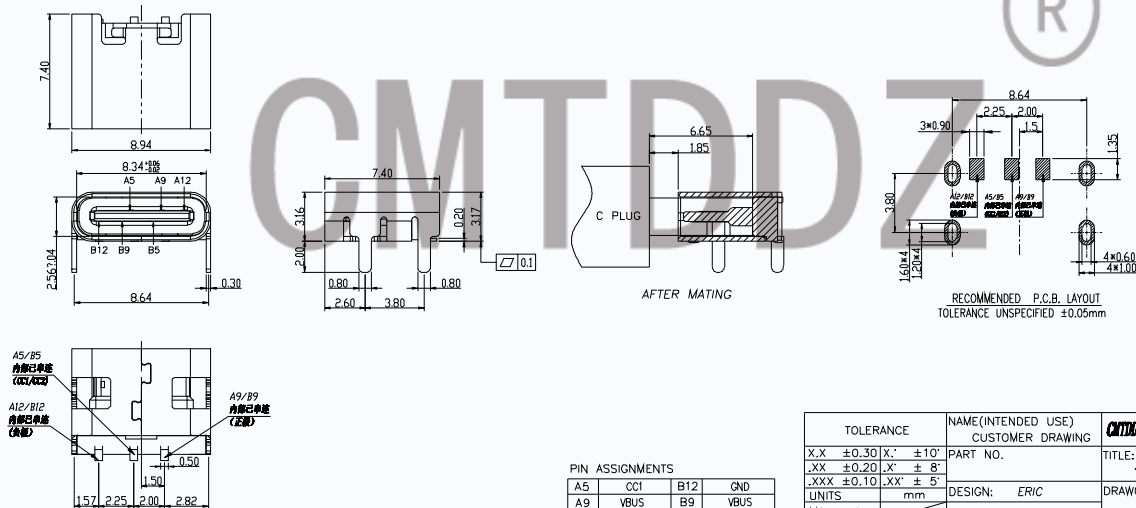
### TYPE-C 3PIN-板上四脚插SMT



#### PART SPECIFICATIONS:

1. MATERIAL SPECIFICATION:
  - 1.1 HOUSING: HIGH TEMPERATURE RESISTANT PLASTIC, UL94 V-0.
  - 1.2 CONTACTS: COPPER ALLOY
  - 1.3 SHELL: STAINLESS STEEL
2. PLATING SPECIFICATION:
  - 2.1 CONTACTS:
    - Ni 50 $\mu$  MIN. UNDER PLATED OVER ALL.
    - Au PLATED ON THE FUNCTIONAL AREA OF CONTACT.
    - Sn PLATED ON SOLDER AREA.
  - 2.2 FRONT SHELL:
    - Ni 50 $\mu$  MIN. UNDER PLATED OVER ALL.
3. MECHANICAL PERFORMANCE:
  - 3.1 INSERTION FORCE: 0.5kgf~2.0kgf.
  - 3.2 REMOVAL FORCE: 0.6kgf~2.0kgf.
  - 3.3 DURABILITY: 5000 CYCLES.
4. ELECTRICAL PERFORMANCE:
  - 4.1 CURRENT RATING: 3.0A  
VOLTAGE RATING: 5.0V
  - 4.2 LLCR:
    - VBUS & GND PINS AND OTHER PINS: 40m $\Omega$ /PIN MAX.
    - LLCR MAX. CHANGE OF ALL PINS: 10m $\Omega$ .
  - 4.3 INSULATION RESISTANCE: 100M $\Omega$  MIN
  - 4.4 DIELECTRIC WITHSTAND VOLTAGE, AC 100V FOR 1 MINUTE.
5. ENVIRONMENTAL PERFORMANCE:
  - OPERATING TEMPERATURE: -25 $^{\circ}$ C~+85 $^{\circ}$ C.
6. IR REFLOW:
  - THE PEAK TEMPERATURE ON THE BOARD SHALL BE MAINTAINED FOR 10 SECONDS AT 260 $^{\circ}$ C.

### 尺寸参数 / PRODUCT DIMENSION

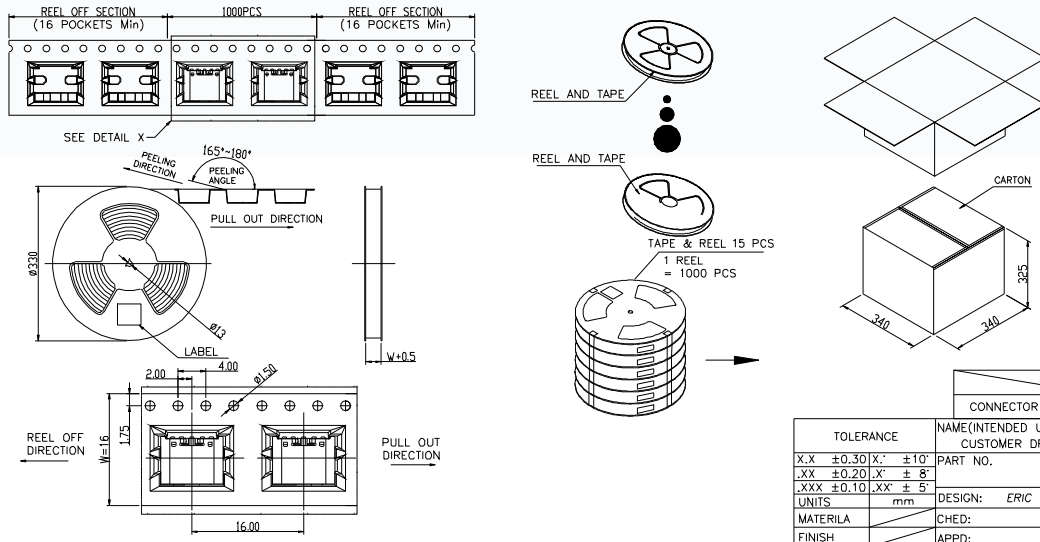


#### PIN ASSIGNMENTS

A5	CC1	B12	GND
A9	VBUS	B9	VBUS
A12	GND	B5	CC2
PIN	SIGNAL NAME	PIN	SIGNAL NAME

TOLERANCE	NAME (INTENDED USE) CUSTOMER DRAWING	<b>CMTDDZ 东莞市田都科技有限公司</b> Dongguan TianDu Technology Co. Ltd.
X.X $\pm 0.30$ .XX $\pm 0.20$ .XXX $\pm 0.10$	X.' $\pm 10$ ' X" $\pm 8$ " .XX' $\pm 5$ '	TITLE: <b>TYPE-C 3PIN-板上四脚插SMT</b>
UNITS	DESIGN: ERIC	DRAWG NO.
MATERIAL	CHED:	SCALE SHEET REV. 1:1 1/2 V0
FINISH	APPD:	

### 包装规范 / PACKING SPECIFICATION



CONNECTOR (PCS)	REEL	CARTON
	1000	10000
TOLERANCE	NAME (INTENDED USE) CUSTOMER DRAWING	<b>CMTDDZ 东莞市田都科技有限公司</b> Dongguan TianDu Technology Co. Ltd.
X.X $\pm 0.30$ .XX $\pm 0.20$ .XXX $\pm 0.10$	X.' $\pm 10$ ' X" $\pm 8$ " .XX' $\pm 5$ '	TITLE: <b>TYPE-C 3PIN-板上四脚插SMT</b>
UNITS	DESIGN: ERIC	DRAWG NO.
MATERIAL	CHED:	SCALE SHEET REV. 1:1 2/2 V0
FINISH	APPD:	