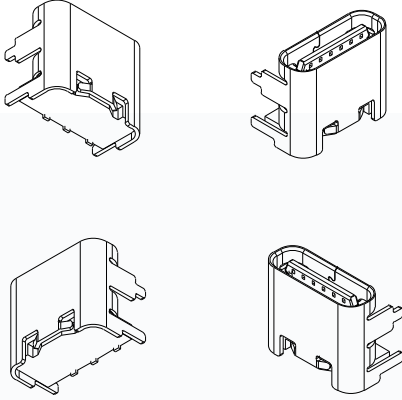


# CMTDDZ 东莞市田都科技有限公司

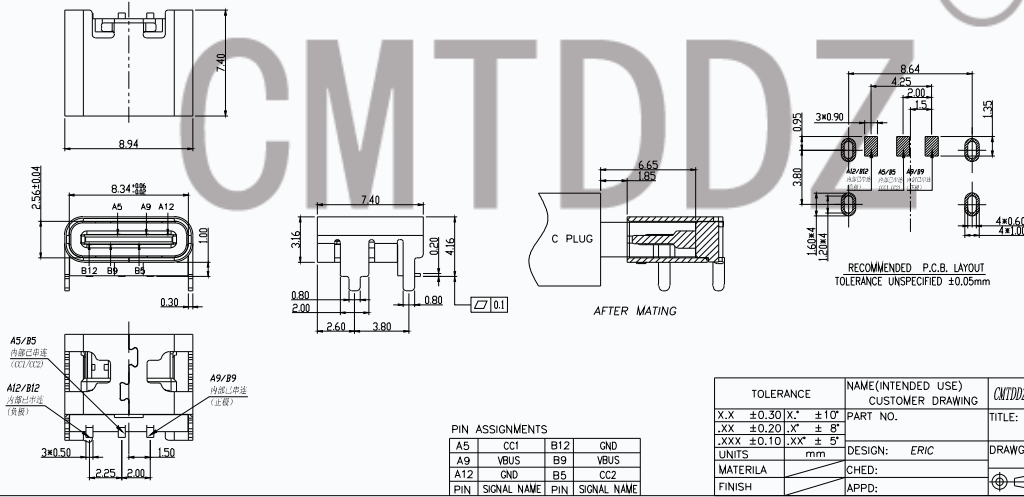
Dongguan TianDu Technology Co. Ltd.

## TYPE-C 3PIN 板上四脚插板 SMT 垫高1.0



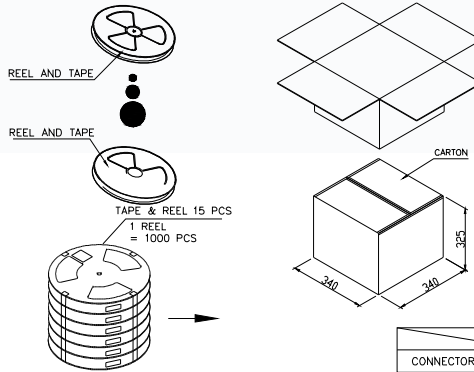
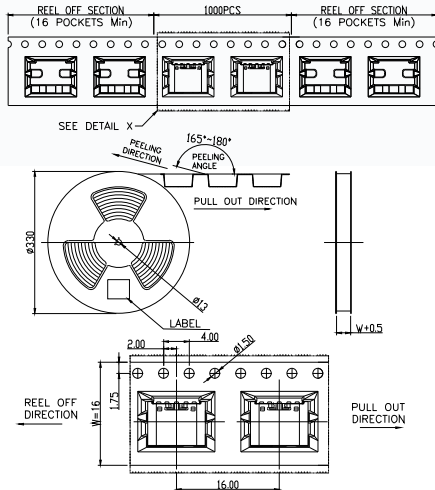
### PART SPECIFICATIONS:

1. MATERIAL SPECIFICATION:
  - 1.1 HOUSING: HIGH TEMPERATURE RESISTANT PLASTIC, UL94 V-0.
  - 1.2 CONTACTS: COPPER ALLOY
  - 1.3 SHELL: STAINLESS STEEL
2. PLATING SPECIFICATION:
  - 2.1 CONTACTS:
    - Ni 50u" MIN. UNDER PLATED OVER ALL.
    - Au PLATED ON THE FUNCTIONAL AREA OF CONTACT.
    - Sn PLATED ON SOLDER AREA.
  - 2.2 FRONT SHELL:
    - Ni 50u" MIN. UNDER PLATED OVER ALL.
3. MECHANICAL PERFORMANCE,
  - 3.1 INSERTION FORCE: 0.5kgf~2.0kgf.
  - 3.2 REMOVAL FORCE: 0.6kgf~2.0kgf.
  - 3.3 DURABILITY: 5000 CYCLES.
4. ELECTRICAL PERFORMANCE
  - 4.1 CURRENT RATING: 3.0A
  - VOLTAGE RATING: 5.0V
  - 4.2 LLCR:
    - VBUS & GND PINS AND OTHER PINS: 40mΩ/PIN MAX.
    - LLCR MAX. CHANGE OF ALL PINS: 10mΩ.
  - 4.3 INSULATION RESISTANCE: 100MΩ MIN
  - 4.4 DIELECTRIC WITHSTAND VOLTAGE, AC 100V FOR 1 MINUTE.
5. ENVIRONMENTAL PERFORMANCE:
  - OPERATING TEMPERATURE: -25°C~+85°C.
6. IR REFLOW:
  - THE PEAK TEMPERATURE ON THE BOARD SHALL BE MAINTAINED FOR 10 SECONDS AT 260°C.



### PIN ASSIGNMENTS

A5	CC1	B12	GND
A9	VBUS	B9	VBUS
A12	GND	B5	CC2
PIN	SIGNAL NAME	PIN	SIGNAL NAME



		REEL	CARTON
CONNECTOR (PCS)		1000	10000

TOLERANCE	NAME (INTENDED USE) CUSTOMER DRAWING	CMTDDZ 东莞市田都科技有限公司 Dongguan TianDu Technology Co., Ltd.
X.X ±0.30 X.* ±10'	PART NO.	TITLE:
.XX ±0.20 X.* ±8'	DESIGN: ERIC	DRAWG NO.
.XXX ±0.10 .XX' ±5'	CHEG:	SCALE SHEET REV.
UNITS: mm	APPD:	1:1 2/2 V0