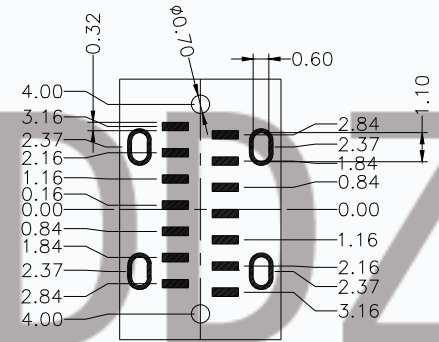
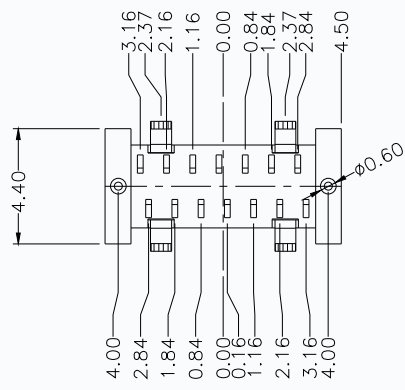
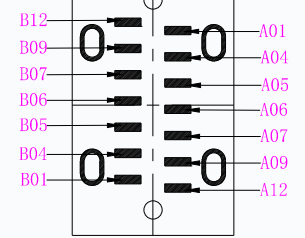
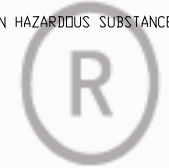


截面 1-1



RECOMMENDED P.C.B. LAYOUT (T:1.00mm)
TOLERANCE UNSPECIFIED ±0.05mm



REV.	ECN NO OR DESCRIPTION	REVISED	DATE
A	PROPOSE ONLY	ERIC	2018.03.13

- SPECIFICATIONS:
- ELECTRICAL CHARACTERISTICS:
 - CONTACT RESISTANCE: 30mΩ MAX.
 - DIELECTRIC WITHSTANDING VOLTAGE: 100V AC FOR ONE MINUTE.
 - INSULATION RESISTANCE: 100MΩ MIN. MEASURED BY 500 VDC
 - MECHANICAL CHARACTERISTICS:
 - INSERTION FORCE :0.5-2.0Kgf(REF.)
 - WITHDRAWAL FORCE :0.8-2.0Kgf(REF.)
 - LIFE TEST: 10,000 CYCLES.
 - TO CONFORM TO THE KRCONN HAZARDOUS SUBSTANCE FREE SPEC.

6	SHELL	STAINLESS STEEL	Ni Plated	IPCS
5	SHIELDING PLATE	STAINLESS STEEL	---	IPCS
4	MD	HIGH TEMPERATURE PLASTIC	BLACK	IPCS
3	CONTACT	COPPER ALLOY	Au/Ni Plated	1SET
2	CONTACT	COPPER ALLOY	Au/Ni Plated	1SET
1	HOUSING	HIGH TEMPERATURE PLASTIC	BLACK	IPCS
NO.	DESCRIPTION	MATERIAL	REMARKS	QTY

A1	GND	B12	GND
A4	VBUS	B9	VBUS
A5	CC1		
A6	DP1	B7	DN2
A7	DN1	B6	DP2
		B5	CC2
A9	VBUS	B4	VBUS
A12	GND	B1	GND
PIN	SIGNAL NAME	PIN	SIGNAL NAME

UNLESS OTHERWISE SPECIFIED TOLERANCES

DECIMALS: ANGLES: TITLE

X ±0.5 X ±2° DWN ERIC T11-14LS01-9.3H

X.X ±0.10 X.X ±1° CHKD DAVID SCALE:1:1 UNIT: mm

X.XX ±0.05 APVD JEFF SIZE: A4 SHEET:10F1 REV: A

X.XXX ±0.02

CMTDDZ 东莞市田都科技有限公司
DONGGUAN TIANDU TECHNOLOGY CO., LTD.

TYPE-C 母 180度 贴板(9.3)