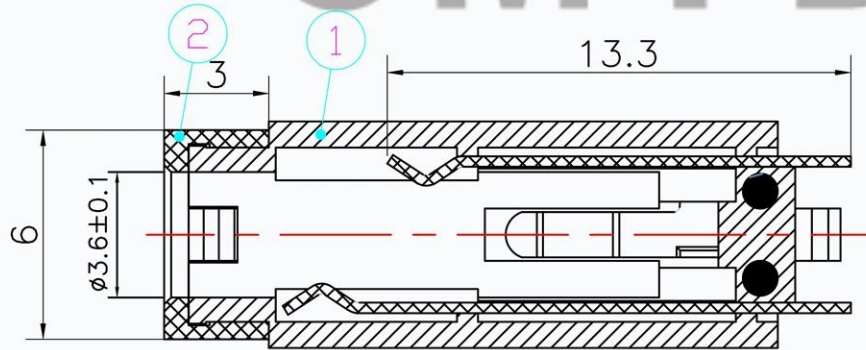
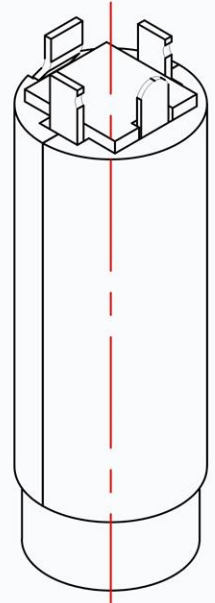
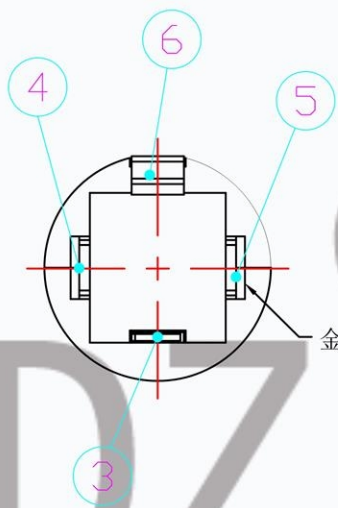
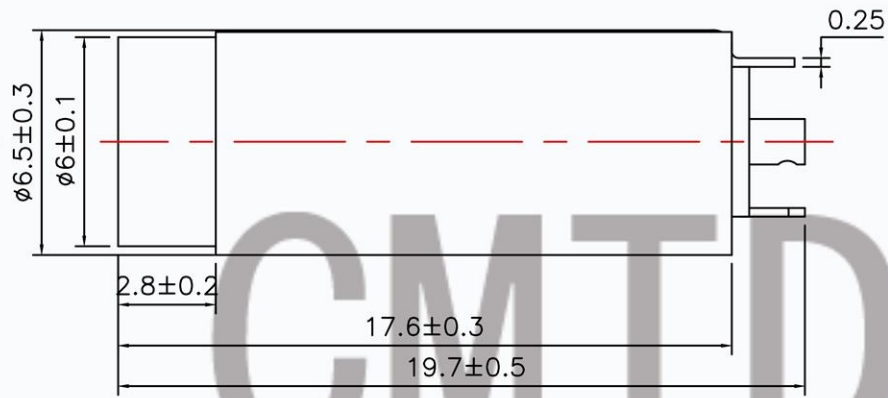
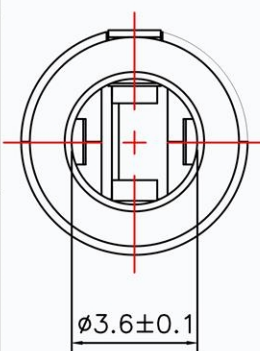


ROHS

版本 REV	修正标记 REV.LTR	修正前 BEFORE REVISION	修正后 AFTER REVISION	签名 SIGN	日期 DATE
V1.0		新版制定		June	20210826



- Technology Request:
- 1.Outlook:No burr, no hurt.
 - 2.Electronic performance:
 - a:Insulation resistance: Above DC500V/100MΩ;
 - b:Endure voltage:AC500V at 1 minute;
 - c>Contact resistance:Under 30mΩ;
 - 3.Insertion force & withdrawal force:0.3-3kgf.
 - 4.Salt spray test:48H.
 - 5.Meet RoHS.
 - 6.Remark * is important specification.

单位 Unit	mm	一般公差 The general tolerance	7			核准 APPROVED BY	校对 CHECKED BY	制图 DRAWN BY	东莞市田都科技有限公司 DONGGUAN TIANDU TECHNOLOGY CO.,LTD. Tel:0769-85384807 Fax:0769-85384842		
			6	四极片	C5191						
比例 Scale	5:1	xx.:±0.3	5	三极片	C5191	Ni 2-5um/Au 1u''	JEFF	DAVID	ERIC	规格 DESCRIPTION:	CMTDDZ-T13-35340A
			4	二极片	C5191	Ni 2-5um				品名 P/N:	T13-35340A
视图 Third angle projection		x.x:±0.1	3	一极片	C5191	Ni 2-5um				图号 DRAWN NO:	TD-13-06
			2	铜盖	C3604	Ni 2-5um/Au 1u''					
		.xx:±0.05	1	PLASTIC	POM	BLACK					
			NO.	PART	MATERIAL	PLATING					