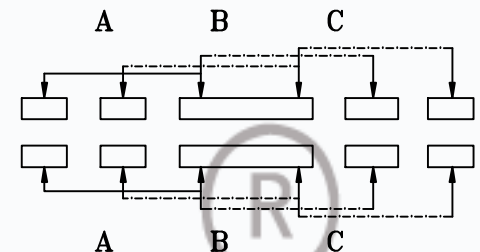
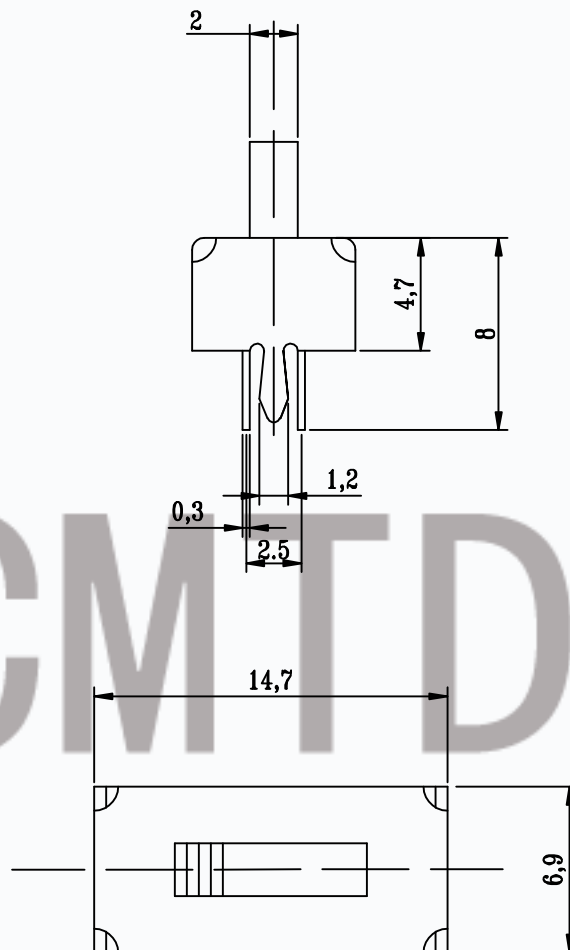
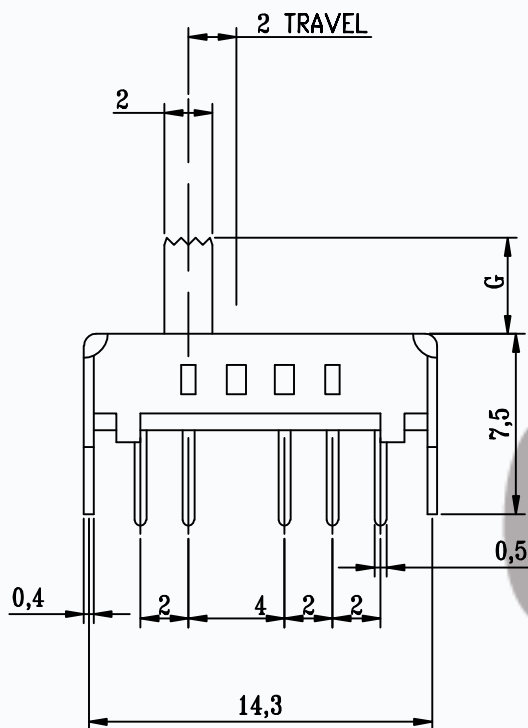




CAD FILE:T2-242007-G



MODEL NO.	KNOB(G/VG)
T2-242007-G	(2~15)mm



SCHEMATIC (SHORTING)

SPECIFICATIONS	
Rating	0.5A 50V DC
CIRCUIT	2P4T
Timing	SHORTING
Travel	2.0mm
Contact Resistance	< 100 mΩ
Operating Force	250gf ± 100gf
Operating Life	10.000 cycles

NO.	PARTS	MATERIALS	Q'TY	FINISH	TOLERANCE UNLESS SPECIFIED WITHIN 1.5mm : ±0.1mm OVER 1.5mm : ±0.2mm		THESE DRAWINGS AND SPECIFICATIONS ARE THE PROPERTY OF DONGGUAN TIANDU TECHNOLOGY CO.,LTD. AND SHALL NOT BE REPRODUCED, COPIED OR USED IN ANY MANNER WITHOUT THE PRIOR WRITTEN CONSENT OF DONGGUAN TIANDU TECHNOLOGY CO., LTD		DESCRIPTIONS OF REVISION		APPD.
8											
7	STEEL BALL	STEEL	1	NATURAL							
6	SPRING	STEEL WIRE	1	NATURAL							
5	CONTACT CLIP	PBS STRIP	2	Ag PLATED							
4	TERMINAL	BRASS STRIP	10	Ag PLATED							
3	BASE	PHENOLIC RESIN	1	NATURAL							
2	KNOB	PA66	1	BLACK							
1	FRAME	STEEL STRIP	1	NI PLATED							
					TITLE : VERTICAL SLIDE SWITCH			UNIT : mm		DRWG NO.: CMTDDZ-T2-242007-G	
					MODEL: T2-242007-G			SCALE: 4:1		DWN. ERIC 2013-6-17	
					CMTDDZ 东莞市田都科技有限公司 DONGGUAN TIANDU TECHNOLOGY CO.,LTD.			CHK'D MAIKO		2013-6-17	
								APPD. Coco		2013-6-17	