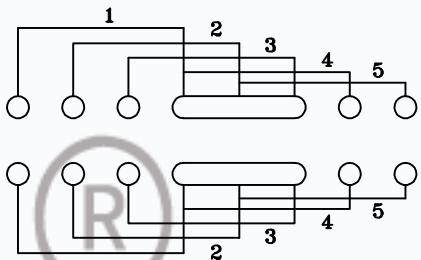
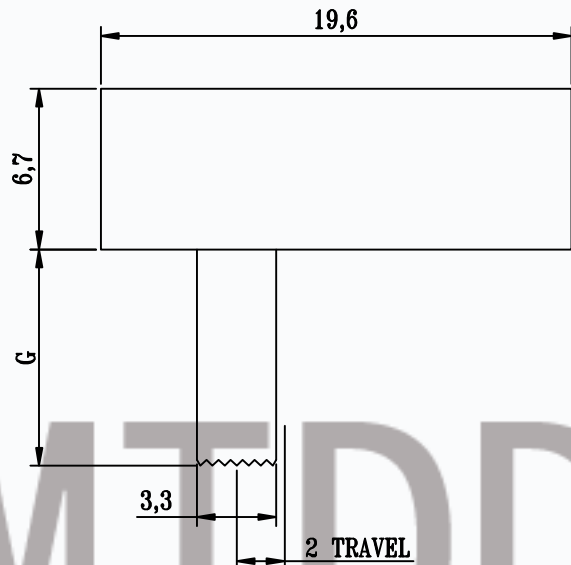
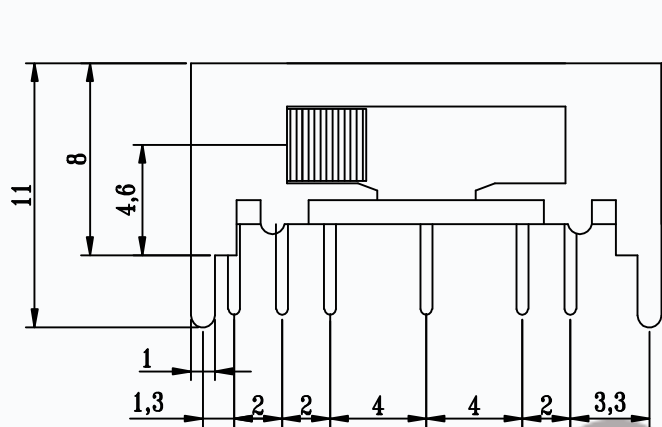
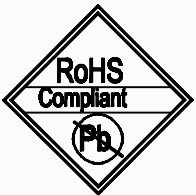


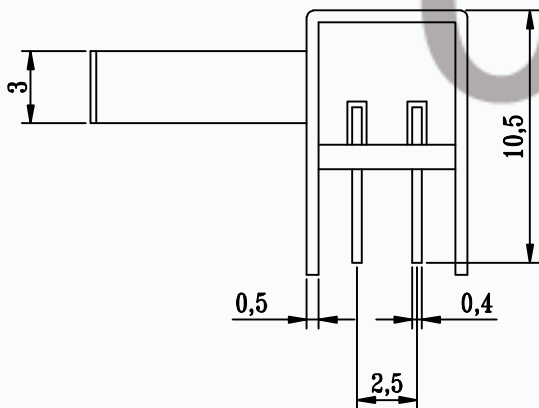


CAD FILE:

MODEL NO.	KNOB(G/VG)
T3-232017A-G L3R2	(2~15)mm



SCHMATIC (SHORTING)



SPECIFICATIONS

Rating	0.5A 50V DC
CIRCUIT	2P3T
Timing	SHORTING
Travel	2.0mm
Contact Resistance	< 100 mΩ
Operating Force	350gf ± 100gf
Operating Life	10.000 cycles

NO.	PARTS	MATERIALS	Q'TY	FINISH	TOLERANCE	DESCRIPTIONS OF REVISION	APPD.
8					UNLESS SPECIFIED	THESE DRAWINGS AND SPECIFICATIONS ARE THE PROPERTY OF DONGGUAN TIANDU TECHNOLOGY CO.,LTD. AND SHALL NOT BE REPRODUCED, COPIED OR USED IN ANY MANNER WITHOUT THE PRIOR WRITTEN CONSENT OF DONGGUAN TIANDU TECHNOLOGY CO., LTD	
7	STEEL BALL	STEEL	1	NATURAL			
6	SPRING	STEEL WIRE	1	NATURAL	WITHIN 1.5mm : ±0.1mm		
5	CONTACT CLIP	PBS STRIP	2	Ag PLATED	OVER 1.5mm : ±0.2mm		
4	TERMINAL	BRASS STRIP	12	Ag PLATED			
3	BASE	PHENOLIC RESIN	1	NATURAL			
2	KNOB	PA66	1	BLACK			
1	FRAME	STEEL STRIP	1	NI PLATED			
					TITLE : HORIZONTAL SLIDE SWITCH	UNIT : mm	DRWG NO:CMTDDZ-T3-232017A-G L3R2
					MODEL: T3-232017A-G L3R2	SCALE: 5:1	DWN. ERIC 2013-6-17
					CMTDDZ 东莞市田都科技有限公司 DONGGUAN TIANDU TECHNOLOGY CO.,LTD.	CHK'D	MAIKO 2013-6-17
						APPD.	Coco 2013-6-17