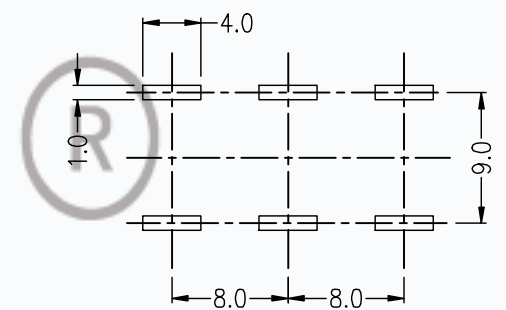
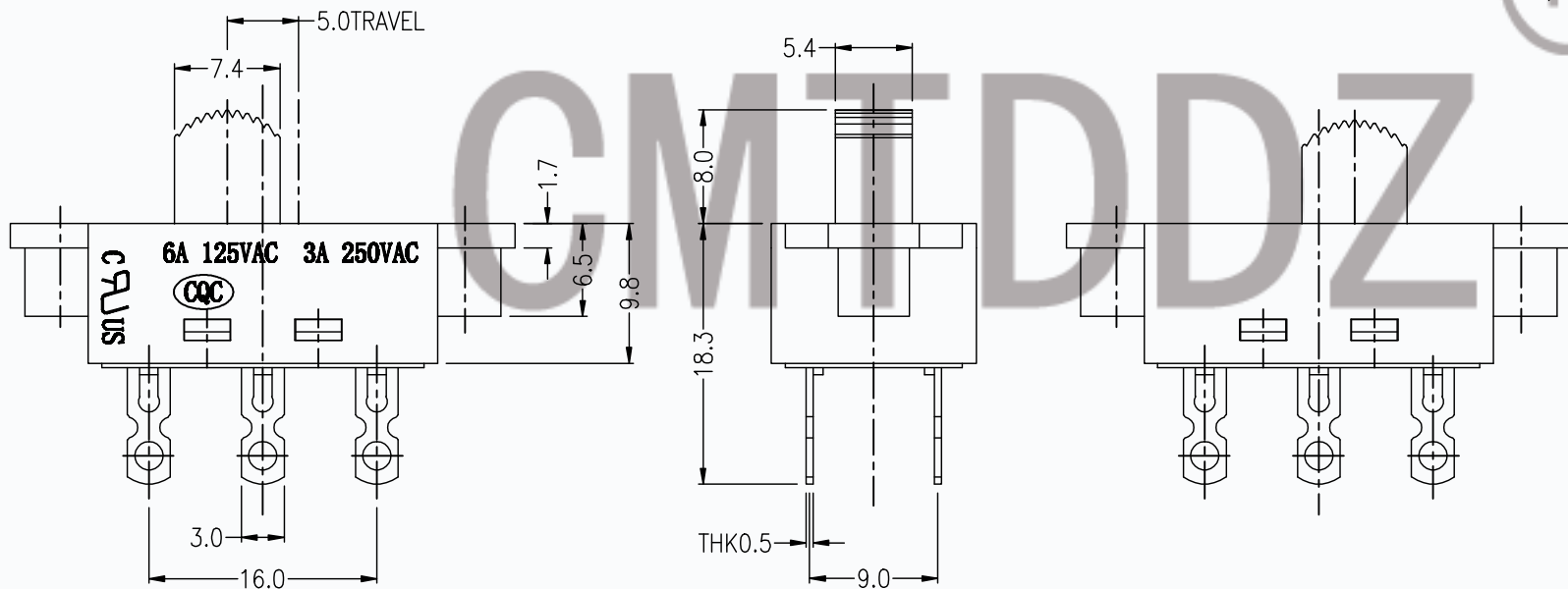
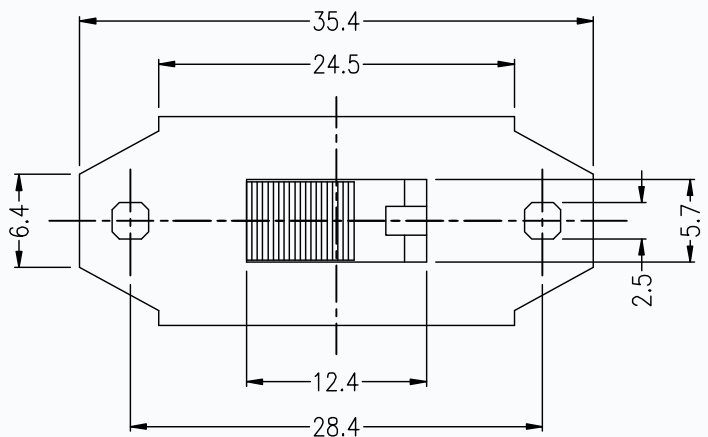
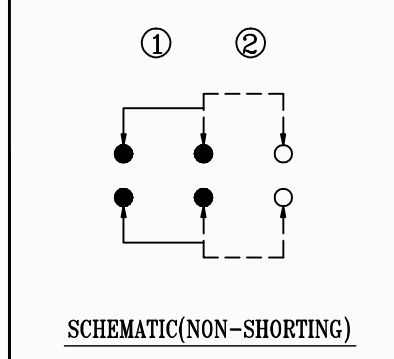


产品规格 Specifications:

Rating	3A 250VAC/6A 125VAC UL GUL
Contact Resistance	100mΩ MAX
Insulation Resistance	500MΩ MIN
Dielectric Voltage	AC 1500V 1 Minute
Operating Force (gf)	600+/-200 gf
Life test without load	10000 Cycles
Ambient Temperature Used	-25° C To 105° C



P.C. BOARD LAYOUT
BOTTOM VIEW

NO.	PARTS	MATERIALS	Q'TY	FINISHING	TOLERANCE UNLESS SPECIFIED			初版		APPD.
					A	2021-Apr-15	初版	ISSUE	DATE	
					WITHIN 10.0mm : ±0.1mm	PROJECT AGL:	CAD FILE: T4-224523A-G			
					OVER 10.0mm : ±0.2mm	TITLE : AC VERTICAL SLIDE SWITCH		UNIT : mm	P/N: 1010155030514030	
5	CONTACT BRIDGE	COPPER ALLOY	2	Ag PLATED	MODEL: T4-224523A-G8		SCALE: 2: 1	DWN.		
4	TERMINAL	COPPER ALLOY	6	Ag PLATED	东莞市田都科技有限公司 DONG GUAN SHI TIANDU TECHNOLOGY CO., LTD			CHK'D		
3	BASE	NYLON HTPA	1	BLACK				APPD.		
2	PLASTIC COVER	NYLON HTPA	1	BLACK						
1	KNOB	PBT	1	BLACK						