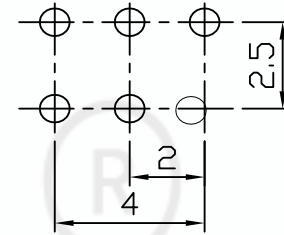
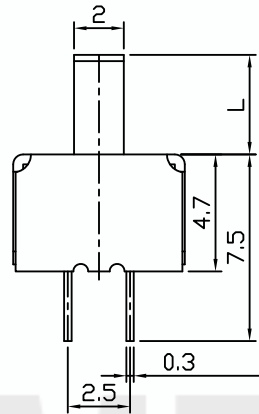
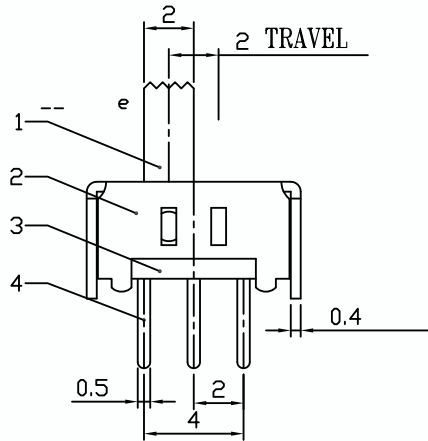
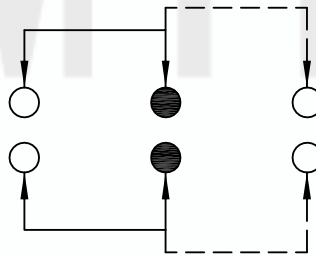
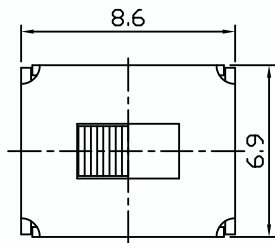


MODEL NO.	KNOB(L/VG)
T2-222002-G	(2~15)mm



P.C.B. LAYOUT
BOTTOM VIEW



CIRCUIT DIAGRAM

SPECIFICATIONS

Rating	0.3A 50V DC
CIRCUIT	2P2T
Timing	NON-SHORTING
Travel	2.0mm
Contact Resistance	< 100 mΩ
Operating Force	250gf ± 100gf
Operating Life	10.000 cycles

NO.	PARTS	MATERIALS	Q'TY	FINISH	TOLERANCE UNLESS SPECIFIED	DESCRIPTIONS OF REVISION	APPD.
8					TOLERANCE UNLESS SPECIFIED WITHIN 1.5mm : ±0.1mm OVER 1.5mm : ±0.2mm	THESE DRAWINGS AND SPECIFICATIONS ARE THE PROPERTY OF DONGGUAN TIANDU TECHNOLOGY CO., LTD. AND SHALL NOT BE REPRODUCED, COPIED OR USED IN ANY MANNER WITHOUT THE PRIOR WRITTEN CONSENT OF DONGGUAN TIANDU TECHNOLOGY CO., LTD	
7							
6	SPRING	STEEL STRIP	1	NATURAL			
5	CONTACT CLIP	BRASS STRIP	1	Ag PLATED			
4	TERMINAL	BRASS STRIP	6	Ag PLATED OVER Ni PLATED	TITLE : VERTICAL SLIDE SWITCH	UNIT : mm	DRWG NO.: CMTDDZ-T2-222002-00
3	BASE	PHENOLIC RESIN	1	NATURAL	MODEL: T2-222002-G	SCALE: 3:1	DWN. ERIC 2013-6-17
2	FRAME	STEEL STRIP	1	BLACK	CMTDDZ 东莞市田都科技有限公司 DONGGUAN TIANDU TECHNOLOGY CO.,LTD.	CHK'D MAIKO	2013-6-17
1	KNOB	POM	1	BLACK		APPD. Coco	2013-6-17