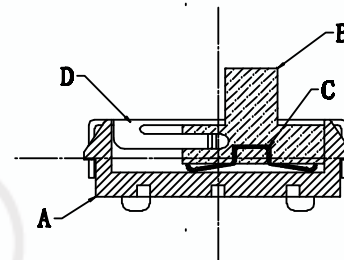
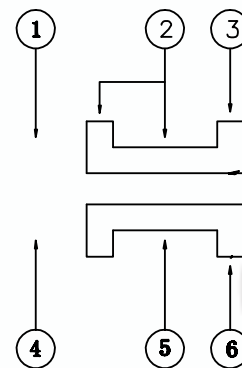
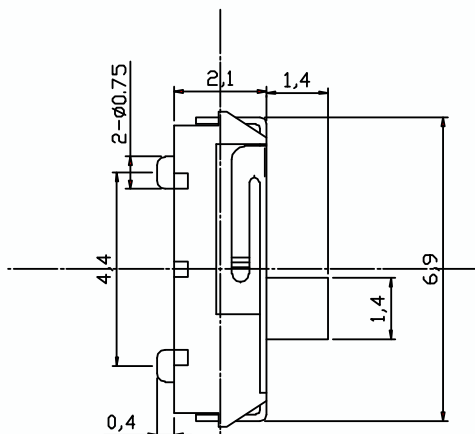
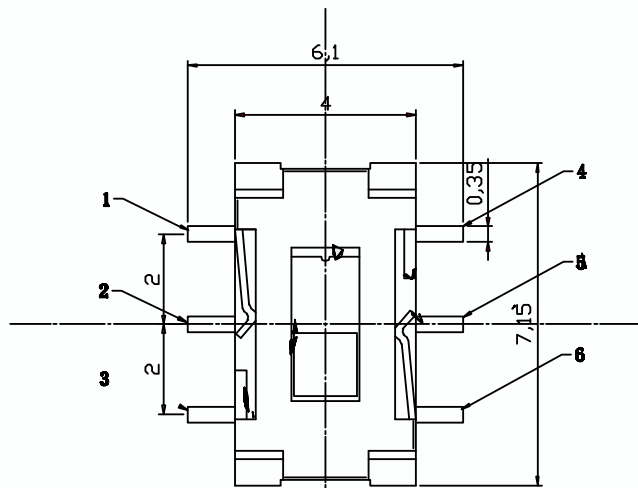
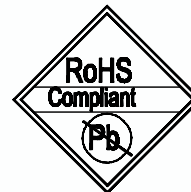
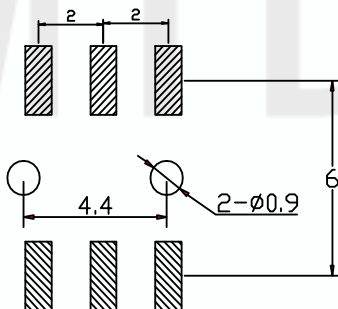
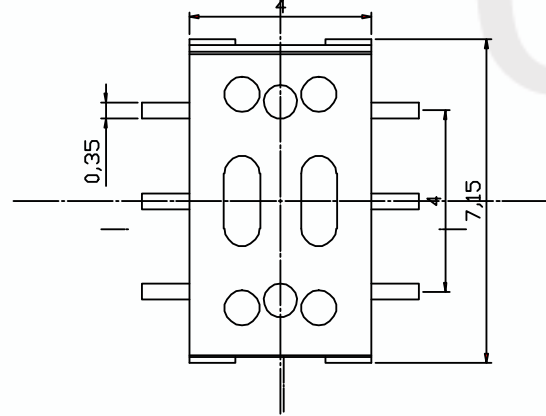


CAD FILE:



SCHEMATIC(NON-SHORTING)



P.C.B. LAYOUT

SPECIFICATIONS

Rating	0.3A 6V DC
Insulation Resistance	> 100 MΩ
Dielectric Withstanding Voltage	500V 0.5mA/min
Contact Resistance	< 70 mΩ
Operating Force	200gf ± 100gf
Operating Life	10,000 cycles

8					TOLERANCE					
7					UNLESS SPECIFIED					
6					WITHIN 1.5mm : ±0.1mm	A	2014-8-29	TIANDU ELECTRONICS		
5	CLIP	BECU	2	Ag PLATED	OVER 1.5mm : ±0.2mm	ISSUE	DATE	DESCRIPTIONS OF REVISION	APPD.	
4	TERMINAL	PHOSPHOR BRONZE	6	Ag PLATED	TITLE : MINI SLIDE SWITCH		UNIT : mm	DRWG NO.:CMTDDZ-T1-2280S-00		
3	CASE	PA46	1	BLACK	MODEL: T1-2280S-G		SCALE:3:1	DWN.	ERIC	2014-8-29
2	COVER	SUS	1	Nature	CMTDDZ 东莞市田都科技有限公司		SCALE:3:1	CHK'D	MAIKO	2014-8-29
1	SLIDER	PA46	1	BLACK				APPD	Coco	2014-8-29
NO.	PARTS	MATERIALS	Q'TY	FINISH	DONGGUAN TIANDU TECHNOLOGY CO.,LTD.					