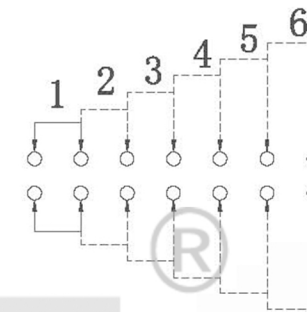
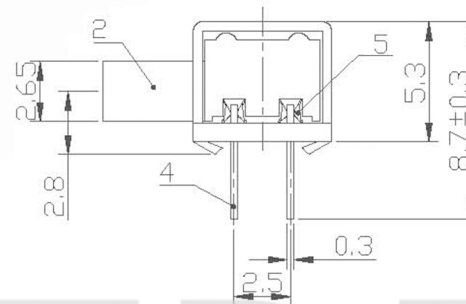
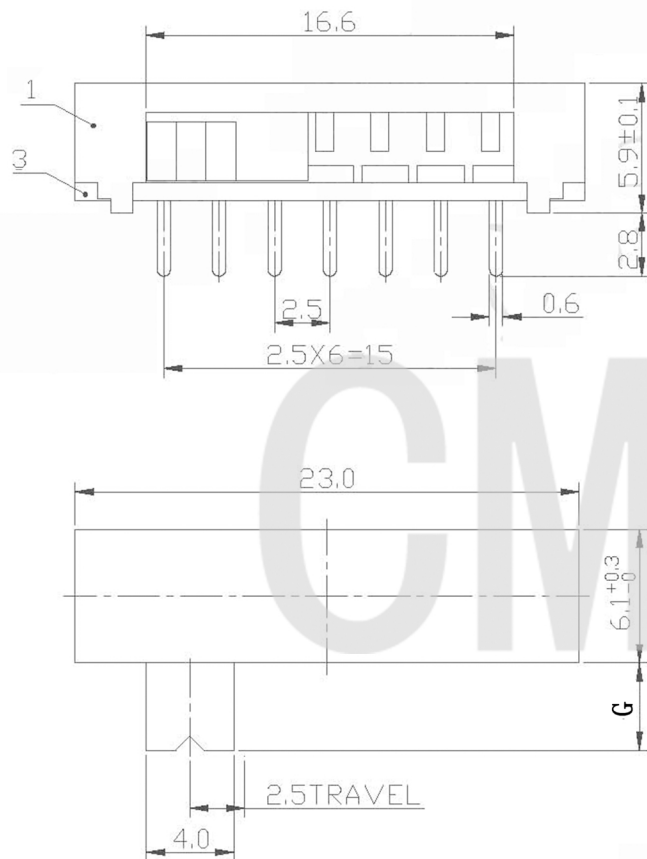


CAD FILE:

MODEL NO.	KNOB(G/VG)
T3-262502-G	(2~15)mm



SCHEMATIC (NON-SHORTING)

SPECIFICATIONS	
Rating	0.3A 50V DC
CIRCUIT	2P6T
Timing	NON-SHORTING
Travel	2.5mm
Contact Resistance	< 100 mΩ
Operating Force	250gf ± 100gf
Operating Life	10,000 cycles

NO.	PARTS	MATERIALS	Q'TY	FINISH	TOLERANCE UNLESS SPECIFIED	DESCRIPTIONS OF REVISION	APPD.	
8					TOLERANCE UNLESS SPECIFIED WITHIN 1.5mm : ±0.1mm OVER 1.5mm : ±0.2mm	THESE DRAWINGS AND SPECIFICATIONS ARE THE PROPERTY OF DONGGUAN TIANDU TECHNOLOGY CO.,LTD. AND SHALL NOT BE REPRODUCED, COPIED OR USED IN ANY MANNER WITHOUT THE PRIOR WRITTEN CONSENT OF DONGGUAN TIANDU TECHNOLOGY CO., LTD		
7	STEEL BALL	STEEL	1	NATURAL				
6	SPRING	STEEL WIRE	1	NATURAL				
5	CONTACT CLIP	PBS STRIP	2	Ag PLATED				
4	TERMINAL	BRASS STRIP	14	Ag PLATED				
3	BASE	PHENOLIC RESIN	1	NATURAL	TITLE : HORIZONTAL SLIDE SWITCH	UNIT : mm	DRWG NO.: CMTDDZ-T3-262502-00	
2	KNOB	POM	1	BLACK	MODEL: T3-262502-G	SCALE: 3:1	DWN. ERIC 2013-6-17	
1	FRAME	STEEL STRIP	1	NI PLATED	CMTDDZ 东莞市田都科技有限公司		CHK'D MAIKO 2013-6-17	
					DONGGUAN TIANDU TECHNOLOGY CO.,LTD.		APPD. Coco 2013-6-17	