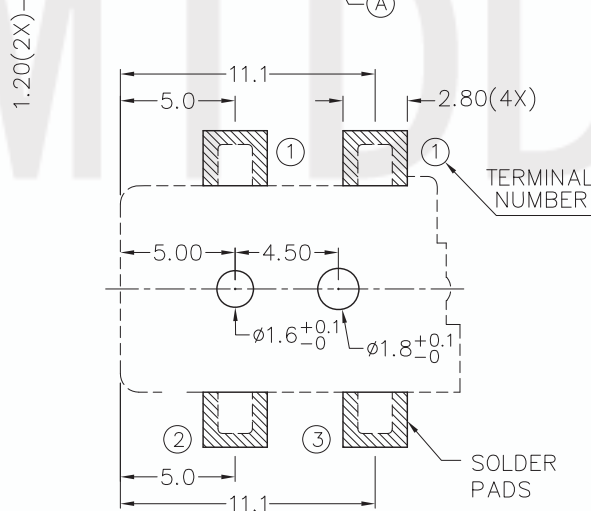
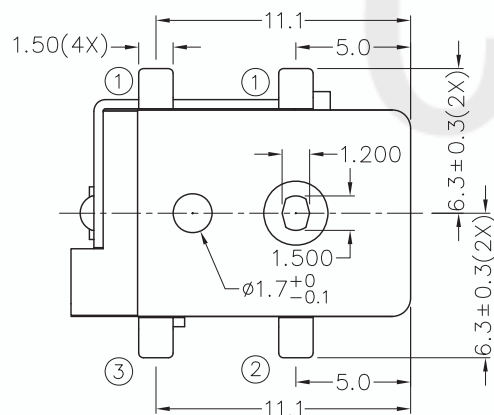
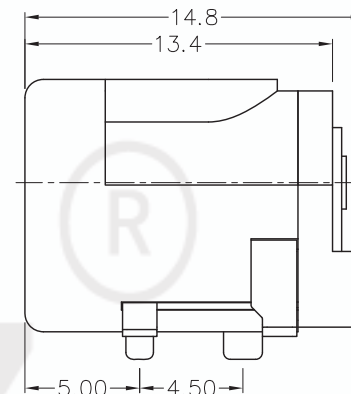
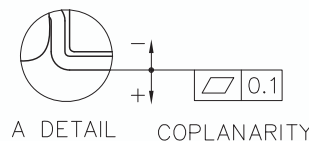
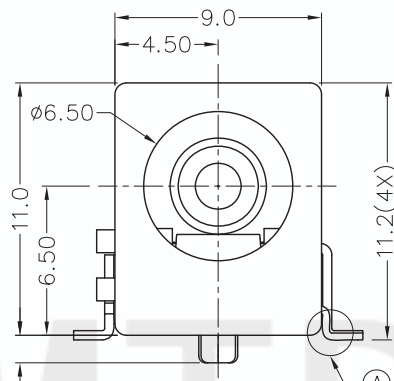
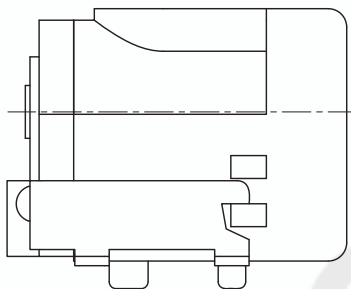
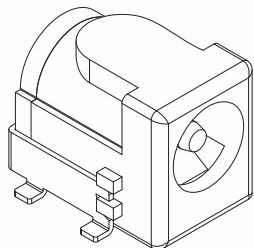
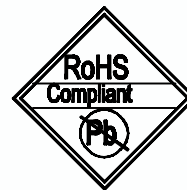


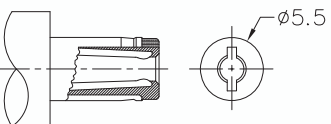
CAD FILE:



RECOMMENDED SOLDER PAD LAYOUT (TOP VIEW)

* MATERIAL

- CENTRE PIN : COPPER
- TERMINAL 1 : BRASS
- TERMINAL 2 : COPPER ALLOY
- TERMINAL 3 : BRASS
- HOUSING : PA6T
- COVER : PA6T



DC MATE PLUG

MODEL NO.	
SCHEMATIC	
CENTER PIN	ø2mm
	ø2.5mm

APPD.	DESCRIPTIONS OF REVISION
-------	--------------------------

TOLERANCE
UNLESS SPECIFIED
WITHIN 1.5mm : ±0.1mm
OVER 1.5mm : ±0.2mm

THESE DRAWINGS AND SPECIFICATIONS ARE THE PROPERTY OF DONGGUAN TIANDU TECHNOLOGY CO.,LTD. AND SHALL NOT BE REPRODUCED, COPIED OR USED IN ANY MANNER WITHOUT THE PRIOR WRITTEN CONSENT OF DONGGUAN TIANDU TECHNOLOGY CO., LTD

TITLE : DC POWER JACK
MODEL: T12-050-XX-A
CMTDDZ 东莞市田都科技有限公司
DONGGUAN TIANDU TECHNOLOGY CO.,LTD.

UNIT : mm	DRWG NO.: CMTDDZ-T12-050-0000
SCALE: 3:1	DWN. ERIC 2013-6-17
	CHK'D MAIKO 2013-6-17
	APPD. Coco 2013-6-17