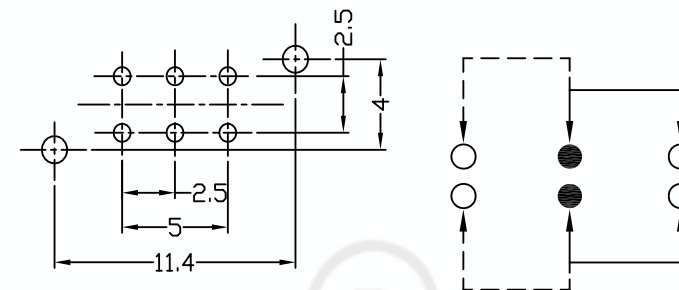
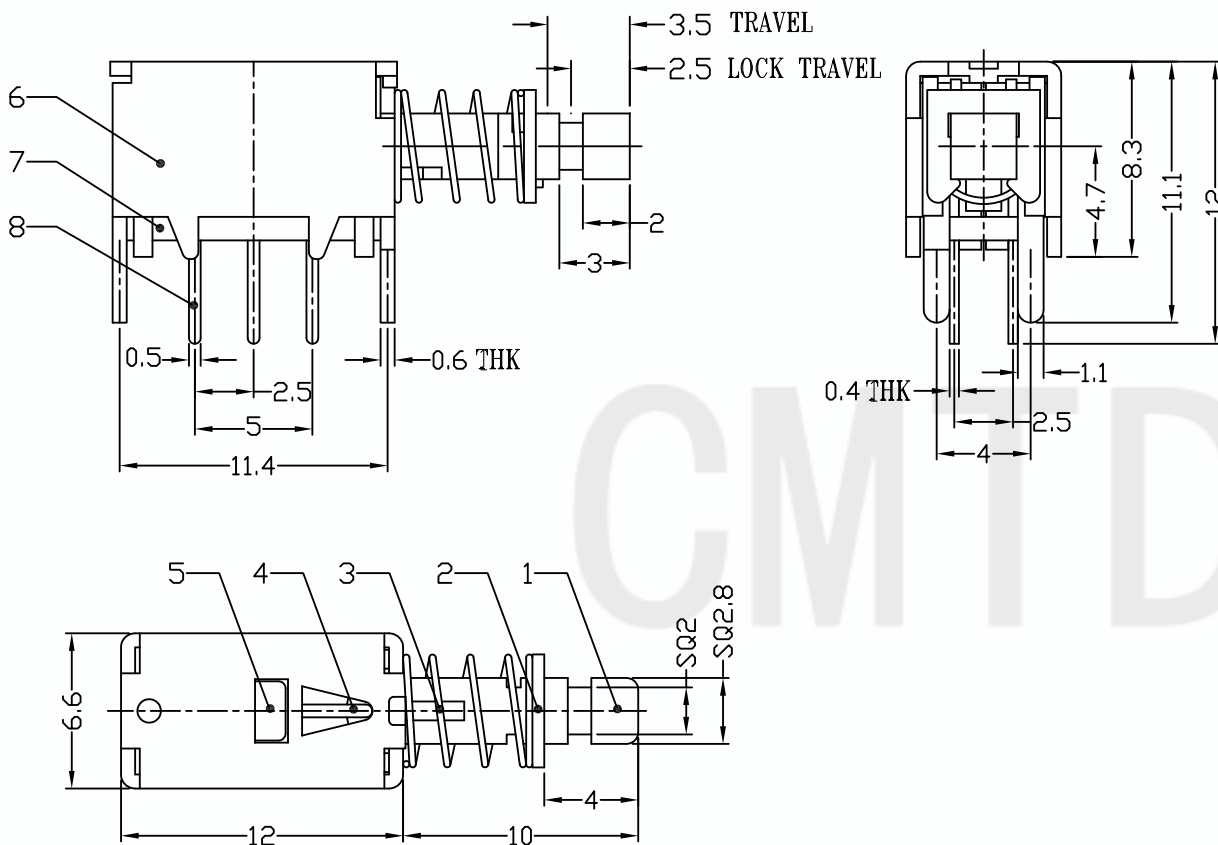


CAD FILE:

**DIMENSIONS**



**P.C.B LAYOUT**

**CIRCUIT DIAGRAM**

**ELECTRO-MECHANICAL CHARACTERISTICS**

Rating	0.3A 50V DC	
Circuit	2P2T	
Contact Resistance	< 100 mΩ MAX	
Timing	NON-SHORTING	
Operationg Mode	SELF-LOCK	T5-222505L
	NON-LOCK	T5-222505N
Stroke	FULL 3.5mm	LOCK 2.5mm
Operating Force	250gf ± 100gf	
Operating Life	10.000 cycles	

NO.	PARTS	MATERIALS	Q'TY	FINISHING
9	CONTACT CLIP	PBS C5210R-EH	2	Ag CLAD
8	TERMINAL	BRASS STRIP	6	Ag PLATED OVER NI PLATED
7	BASE	PHENOLIC RESIN	1	NATURAL
6	FRAME	STELL STRIP	1	NI PLATED
5	SPRING PLATE	PBS STRIP	1	NATURAL
4	CAM STICK	PBS WIRE	1	NATURAL
3	SPRING	SUS	1	NATURAL
2	BLOCK	STEEL STRIP	1	NI PLATED
1	KNOB	POM	1	YELLOW

<p>TOLERANCE UNLESS SPECIFIED WITHIN 1.5mm : ±0.1mm OVER 1.5mm : ±0.2mm</p>	<p>THESE DRAWINGS AND SPECIFICATIONS ARE THE PROPERTY OF DONGGUAN TIANDU TECHNOLOGY CO., LTD. AND SHALL NOT BE REPRODUCED, COPIED OR USED IN ANY MANNER WITHOUT THE PRIOR WRITTEN CONSENT OF DONGGUAN TIANDU TECHNOLOGY CO., LTD</p>		<p>DESCRIPTIONS OF REVISION</p>		<p>APPD.</p>
	<p>TITLE : HORIZONTAL PUSH SWITCH</p>		<p>UNIT : mm</p>	<p>DRWG NO.: CMTDDZ-T5-222505NL-00</p>	
<p>MODEL: T5-222505NL</p>		<p>SCALE: 4:1</p>	<p>DWN. ERIC</p>	<p>2013-6-17</p>	
<p><b>CMTDDZ</b> 东莞市田都科技有限公司</p>		<p>APPD. Coco</p>		<p>2013-6-17</p>	
<p>DONGGUAN TIANDU TECHNOLOGY CO., LTD.</p>		<p>APPD. Coco</p>		<p>2013-6-17</p>	