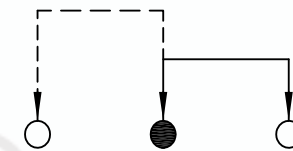
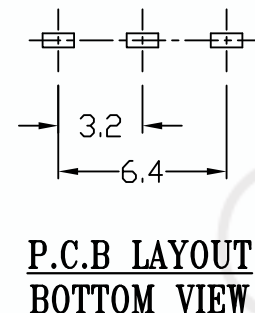
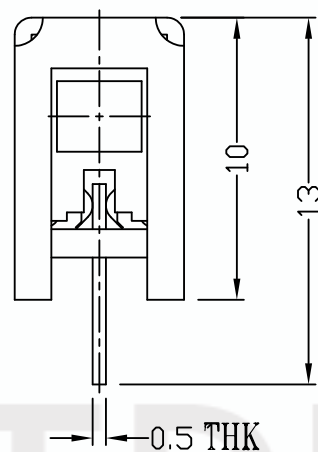
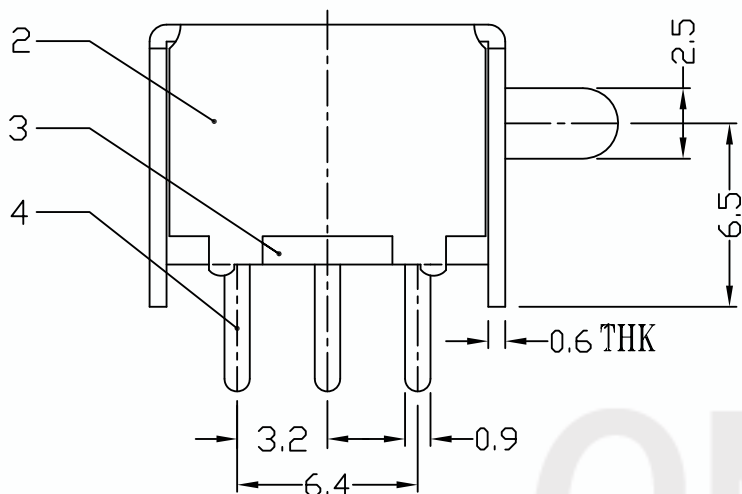


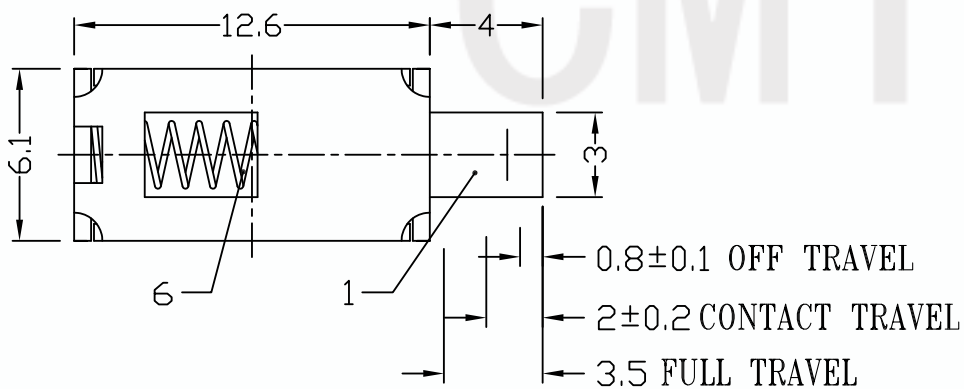


DIMENSIONS



ELECTRO-MECHANICAL CHARACTERISTICS

Rating	0.3A 50V DC
Circuit	1P2T
Contact Resistance	< 100 mΩ MAX
Timing	NON-SHORTING
Operationg Mode	NON-LOCK
Stroke	OFF0.8±0.1/FULL3.5mm/CONTACT2±0.2
Operating Force	70gf ± 20gf
Operating Life	10.000 cycles



NO.	PARTS	MATERIALS	Q'TY	FINISHING	TOLERANCE UNLESS SPECIFIED	DESCRIPTIONS OF REVISION	APPD.		
8					TOLERANCE UNLESS SPECIFIED WITHIN 1.5mm : ±0.1mm OVER 1.5mm : ±0.2mm	THESE DRAWINGS AND SPECIFICATIONS ARE THE PROPERTY OF DONGGUAN TIANDU TECHNOLOGY CO., LTD. AND SHALL NOT BE REPRODUCED, COPIED OR USED IN ANY MANNER WITHOUT THE PRIOR WRITTEN CONSENT OF DONGGUAN TIANDU TECHNOLOGY CO., LTD	TITLE : HORIZONTAL PUSH SWITCH MODEL: T5-123003N CMTDDZ 东莞市田都科技有限公司 DONGGUAN TIANDU TECHNOLOGY CO., LTD.	UNIT : mm SCALE: 4:1 DWN. ERIC CHK'D MAIKO APPD. Coco	DRWG NO.: CMTDDZ-T5-123003N-00 2013-6-17 2013-6-17 2013-6-17
7									
6	SPRING	STEEL WIRE	1	NATURAL					
5	CONTACT CLIP	PBS STRIP	1	Ag PLATED					
4	TERMINAL	BRASS STRIP	3	Ag PLATED					
3	BASE	PHENOLIC RESIN	1	NATURAL					
2	FRAME	STEEL STRIP	1	NI PLATED					
1	KNOB	POM	1	BLACK					