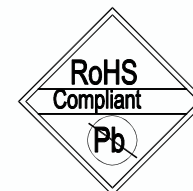
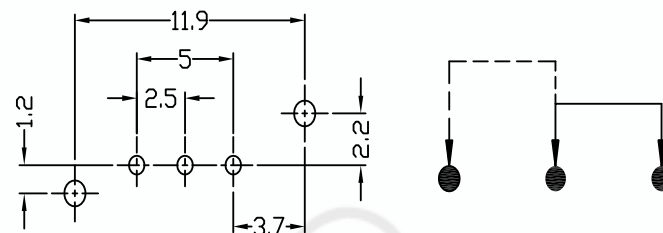
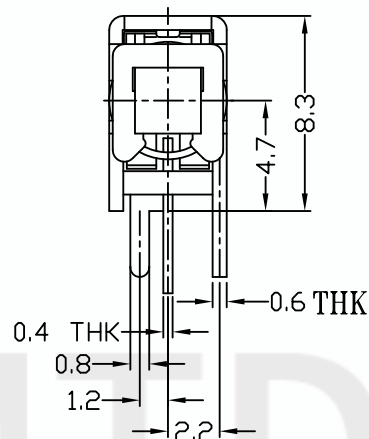
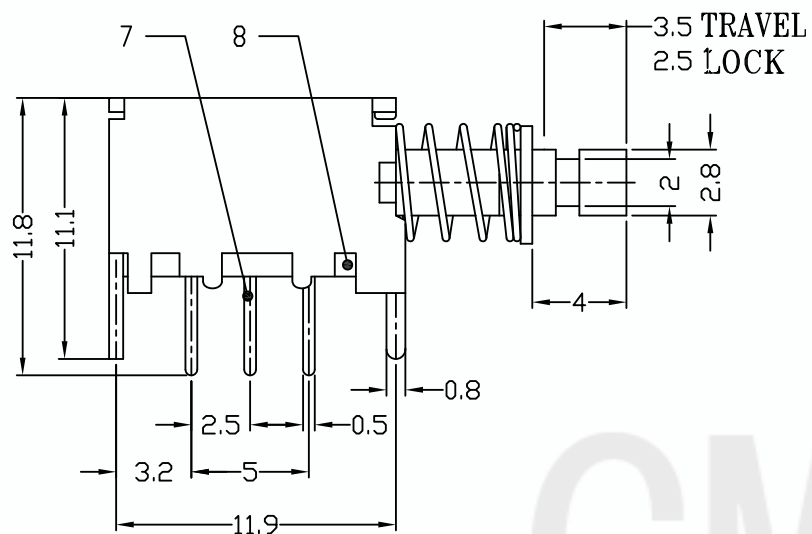


CAD FILE:



DIMENSIONS

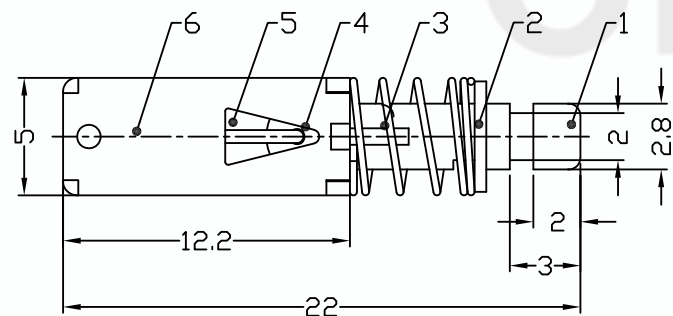


P.C.B LAYOUT

CIRCUIT DIAGRAM

ELECTRO-MECHANICAL CHARACTERISTICS

Rating	0.3A 50V DC	
Circuit	1P2T	
Contact Resistance	< 30 mΩ MAX	
Timing	NON-SHORTING	
Operationg Mode	SELF-LOCK	T5-122505L
	NON-LOCK	T5-122505N
Stroke	FULL 3.5mm	LOCK 2.5mm
Operating Force	250gf ± 100gf	
Operating Life	10.000 cycles	



NO.	PARTS	MATERIALS	Q'TY	FINISHING	TOLERANCE UNLESS SPECIFIED WITHIN 1.5mm : ±0.1mm OVER 1.5mm : ±0.2mm		THESE DRAWINGS AND SPECIFICATIONS ARE THE PROPERTY OF DONGGUAN TIANDU TECHNOLOGY CO., LTD. AND SHALL NOT BE REPRODUCED, COPIED OR USED IN ANY MANNER WITHOUT THE PRIOR WRITTEN CONSENT OF DONGGUAN TIANDU TECHNOLOGY CO., LTD	DESCRIPTIONS OF REVISION		APPD.	
8	TERMINAL	BRASS STRIP	3	Ag PLATED OVER NI PLATED							
7	BASE	PHENOLIC RESIN	1	NATURAL							
6	FRAME	STEEL STRIP	1	NI PLATED							
5	LOCK NEEDLE	PBS WIRE	1	NATURAL							
4	SPRING PLATE	PBS STRIP	1	NATURAL							
3	SPRING	STAINLESS STEEL	1	TEMPER							
2	BLOCK	STEEL STRIP	1	NI PLATED							
1	KNOB	POM	1	BLUE							
					TITLE : HORIZONTAL PUSH SWITCH			UNIT : mm	DRWG NO.: CMTDDZ-T5-122505NL00		
					MODEL: T5-122505NL			SCALE: 4:1	DWN.	ERIC	2013-6-17
					CMTDDZ 东莞市田都科技有限公司			CHK'D	MAIKO	2013-6-17	
					DONGGUAN TIANDU TECHNOLOGY CO., LTD.			APPD.	Coco	2013-6-17	